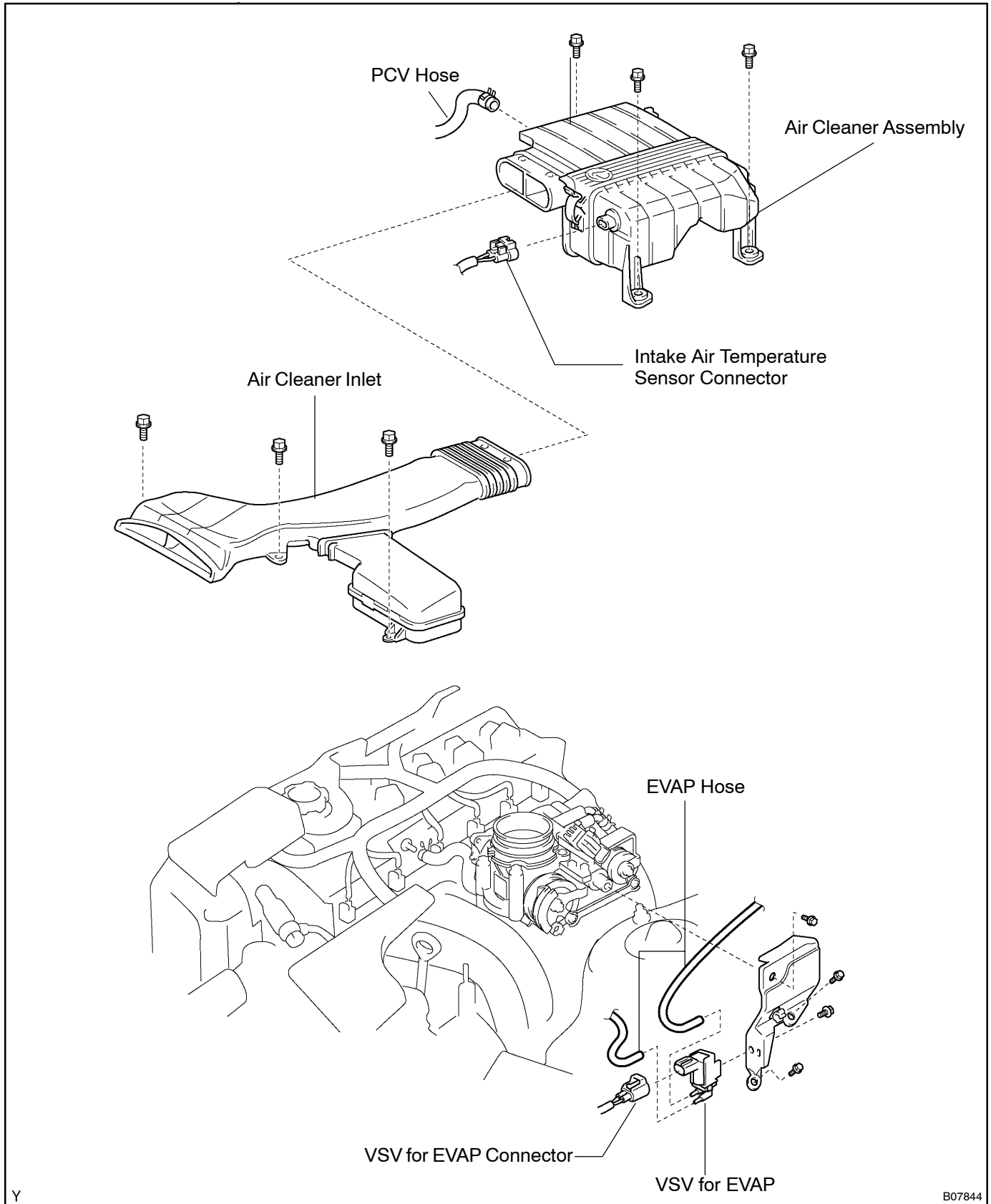


VSV FOR EVAPORATIVE EMISSION (EVAP) COMPONENTS

SF123-01



B07844