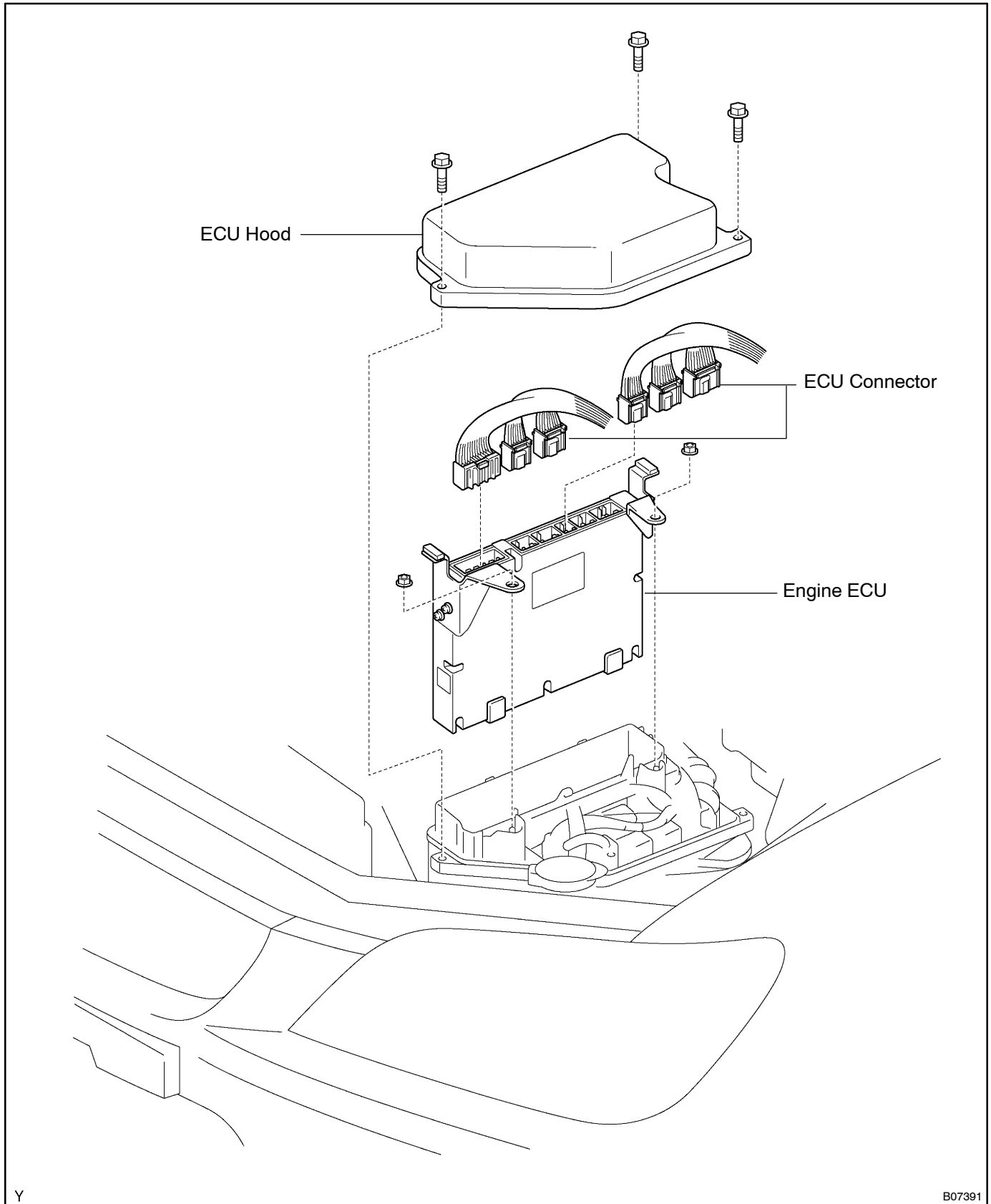


ENGINE ECU COMPONENTS

FI029-02



Y

B07391