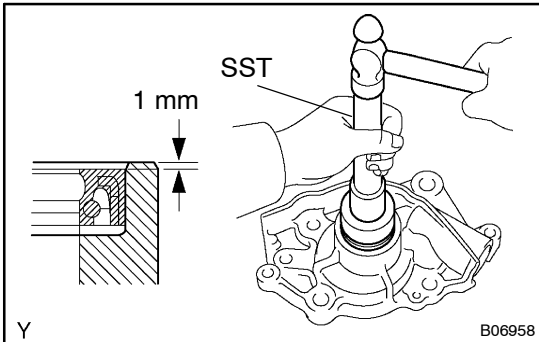


## REPLACEMENT

### REPLACE OIL PUMP OIL SEAL

(a) Using a screwdriver, pry out the oil seal.



(b) Using SST and a hammer, tap in a new oil seal to a depth of approx. 1 mm (0.04 in.) from the oil pump body edge.

SST 09950-60010 (09951-00300),  
09950-70010 (09951-07100)

(c) Apply MP grease to the oil seal lip.