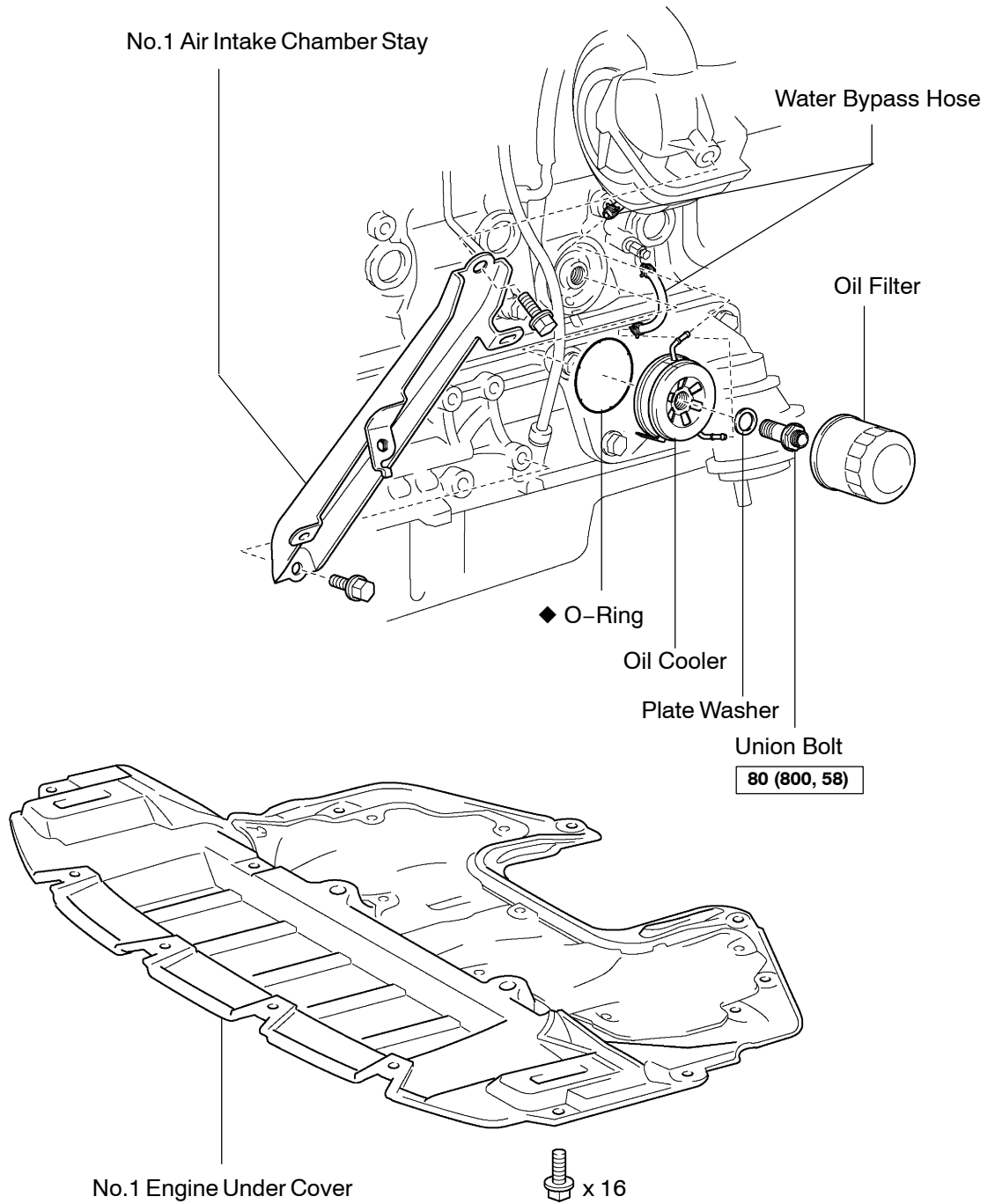


OIL COOLER COMPONENTS

LU03Q-04



N·m (kgf·cm, ft·lbf) : Specified torque

◆ Non-reusable part

B07029