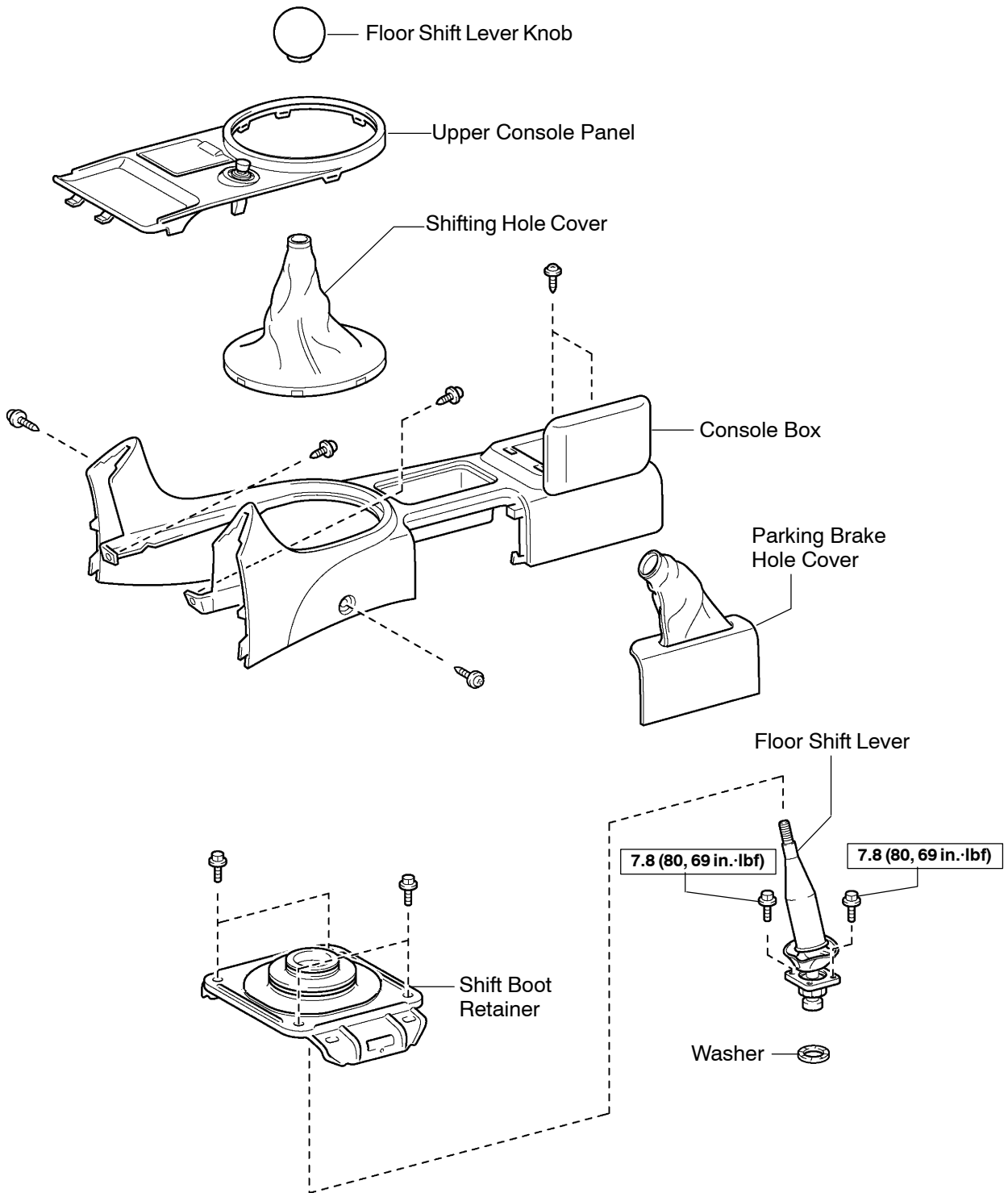


# MANUAL TRANSMISSION UNIT COMPONENTS

MT08R-01



T

**N·m (kgf·cm, ft·lbf)** : Specified torque

D05687

