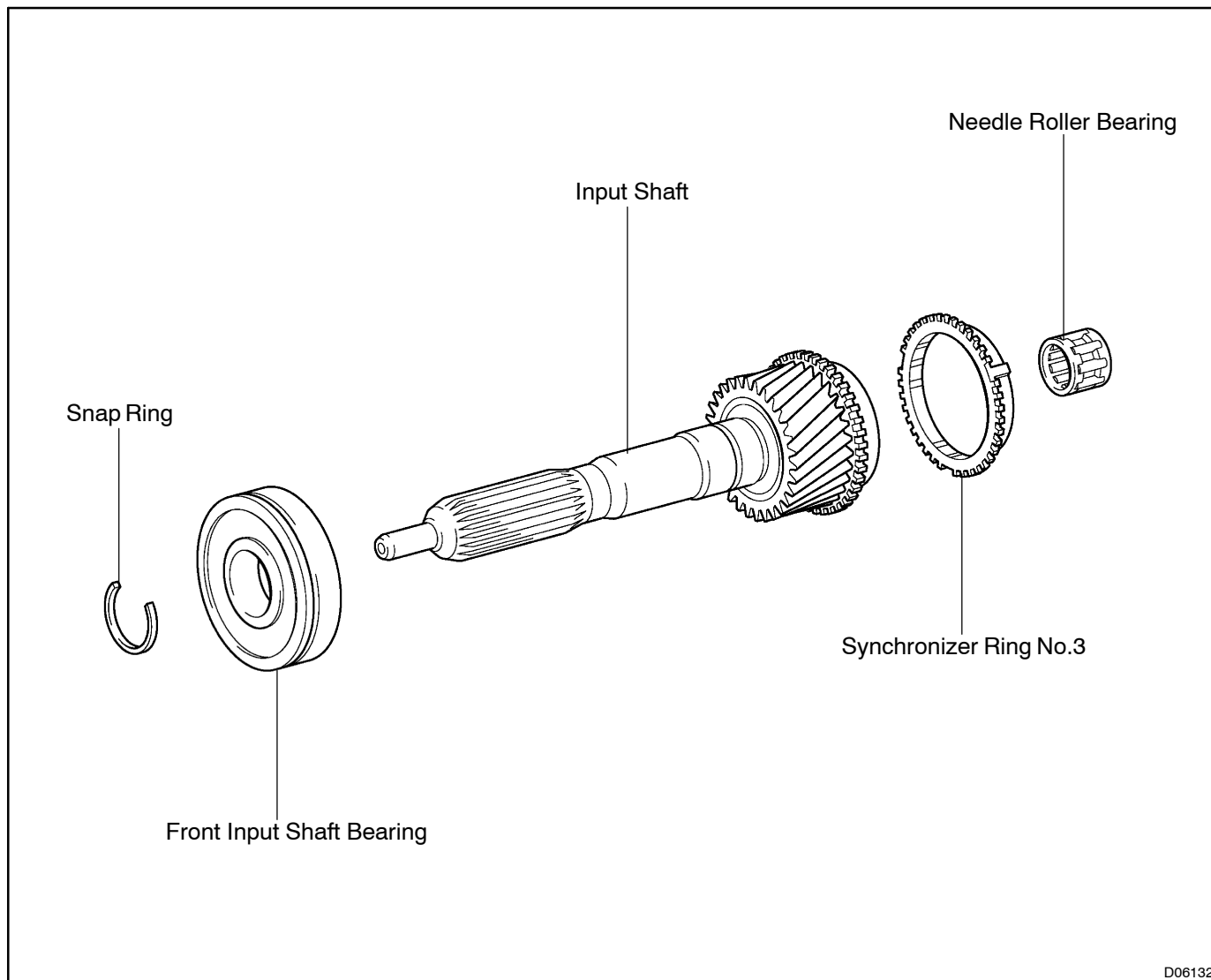


# INPUT SHAFT COMPONENTS

MT08Z-01



D06132