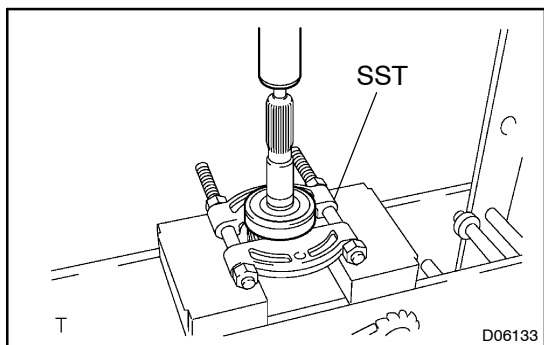


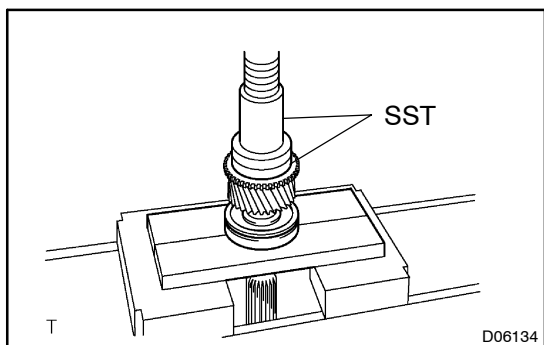
## REPLACEMENT

### IF NECESSARY, REPLACE INPUT SHAFT BEARING

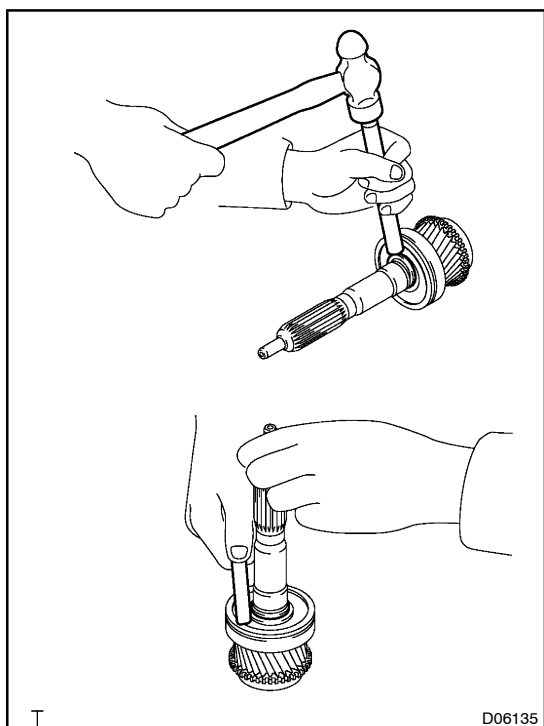
(a) Using 2 screwdrivers and hammer, remove the snap ring.



(b) Using SST and press, remove the input shaft bearing.  
SST 09950-00020



(c) Using SST and press, install a new bearing.  
SST 09527-20011, 09950-60010 (09951-00560)



(d) Select a snap ring that allows minimum axial play.

Mark	Thickness mm (in.)
0	1.95 (0.077)
1	2.00 (0.079)
2	2.05 (0.081)
3	2.10 (0.083)
4	2.15 (0.085)
5	2.20 (0.087)

(e) Using brass bar and hammer, install the snap ring.