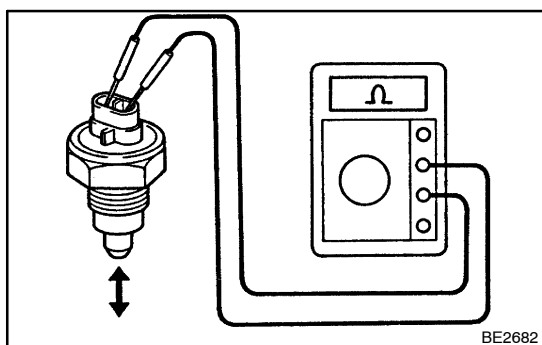


INSPECTION

1. INSPECT REVERSE SHIFT WARNING BUZZER SYSTEM (See page BE-83)



2. INSPECT BACK-UP LIGHT SWITCH CONTINUITY

Switch position	Tester connection	Specified condition
Free	1-2	No continuity
Push	1-2	Continuity

If continuity is not as specified, replace the switch.