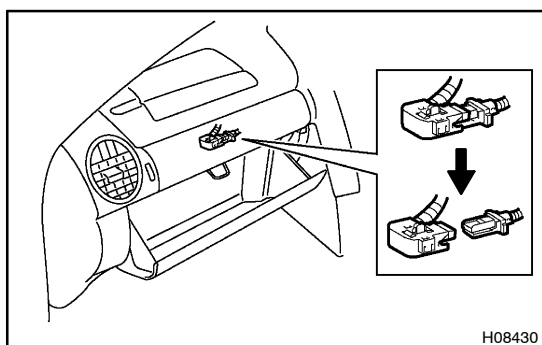


## REMOVAL

### NOTICE:

- If the wiring connector of the SRS is disconnected and the ignition switch is in ON or ACC position, DTCs will be recorded.
- Never use the airbag parts from another vehicle. When replacing parts, replace them with new parts.



### 1. DISCONNECT FRONT PASSENGER AIRBAG ASSEMBLY CONNECTOR

Open the glove compartment door and disconnect the front passenger airbag assembly connector.

### NOTICE:

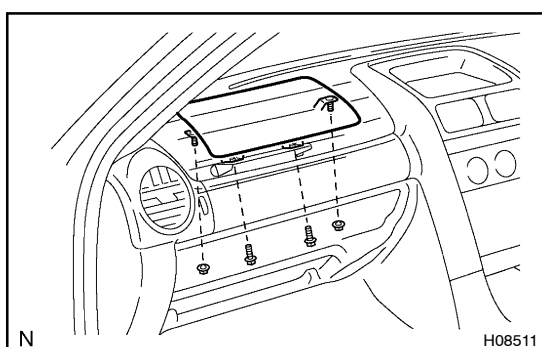
When handling the airbag connector, take care not to damage the airbag wire harness.

### 2. REMOVE GLOVE COMPARTMENT DOOR

(See page BO-93)

### 3. REMOVE CENTER BRACKET

Remove the 3 screws and center bracket.



### 4. REMOVE FRONT PASSENGER AIRBAG ASSEMBLY

- Remove the 2 bolts and nuts from the front passenger airbag assembly.
- Disconnect the engagement of the claw at 10 positions and remove the front passenger airbag assembly from the instrument panel.

### CAUTION:

- Do not store the front passenger airbag assembly with the airbag deployment side facing downward.
- Never disassemble the front passenger airbag assembly.