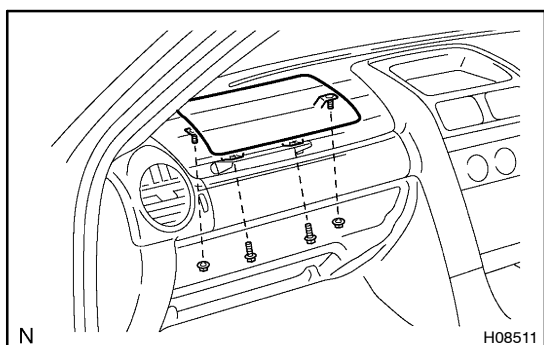


INSTALLATION

NOTICE:

Never use airbag parts from another vehicle. When replacing parts, replace them with new parts.



1. INSTALL FRONT PASSENGER AIRBAG ASSEMBLY

Connect the engagement of the claw at 10 positions and install the front passenger airbag assembly to the instrument panel with the 2 bolts and nuts.

Torque:

Bolt: 20 N·m (205 kgf·cm, 15 ft·lbf)

Nut: 5.4 N·m (55 kgf·cm, 48 in·lbf)

NOTICE:

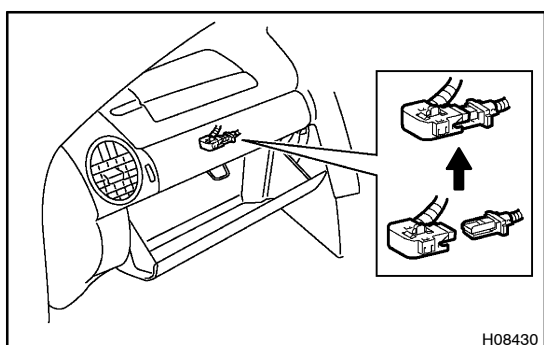
- Make sure that the front passenger airbag assembly is installed with the specified torque.
- When installing the front passenger airbag assembly, take care that the wiring does not interfere with other parts and is not pinched between other parts.
- If the front passenger airbag assembly has been dropped, or there are cracks, dents or other defects in the case or connector, replace the front passenger airbag assembly with a new one.

2. INSTALL CENTER BRACKET

Install the center bracket with the 3 screws.

3. INSTALL GLOVE COMPARTMENT DOOR

(See page [BO-104](#))



4. CONNECT FRONT PASSENGER AIRBAG ASSEMBLY CONNECTOR