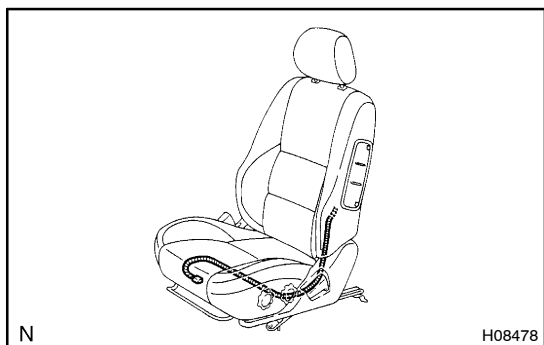


## REMOVAL

### NOTICE:

- If the wiring connector of the SRS is disconnected and the ignition switch is at ON or ACC position, DTCs will be recorded.
- Never use the airbag parts from another vehicle. When replacing parts, replace them with new parts.



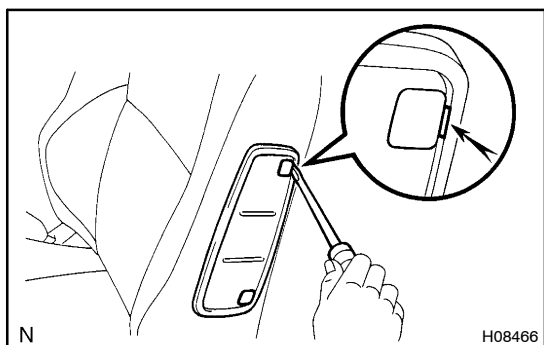
### 1. REMOVE FRONT SEAT

- Remove the 2 seat track covers and 4 bolts.
- Disconnect the connectors under the front seat.

### NOTICE:

When handling the airbag connector, take care not to damage the airbag wire harness.

- Remove the front seat.
- ### 2. REMOVE HEADREST

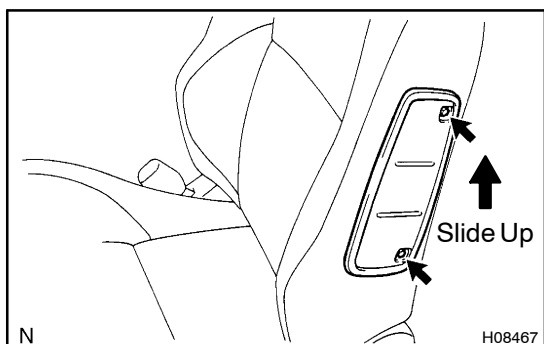


### 3. REMOVE FRONT SEAT AIRBAG DOOR

- Using a screwdriver, remove the 2 covers.

### HINT:

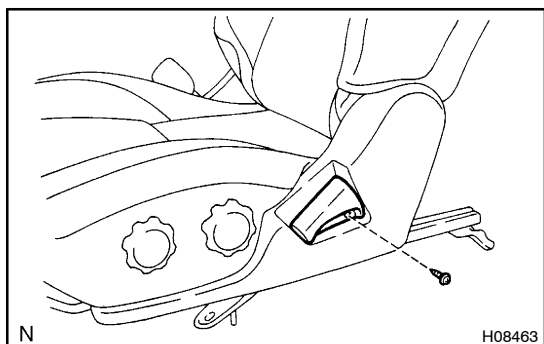
Tape the screwdriver tip before use.



- Remove the 2 bolts.
- Slide up the front seat airbag door and remove it.

### 4. Power adjuster type:

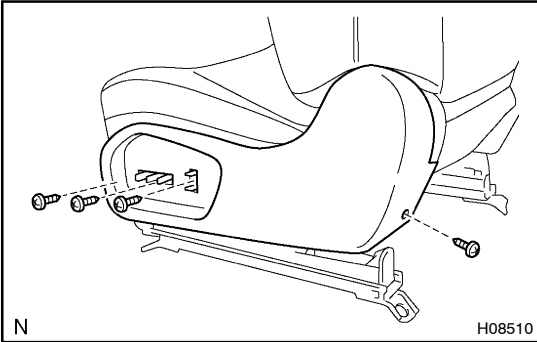
#### REMOVE POWER SEAT SWITCH KNOBS



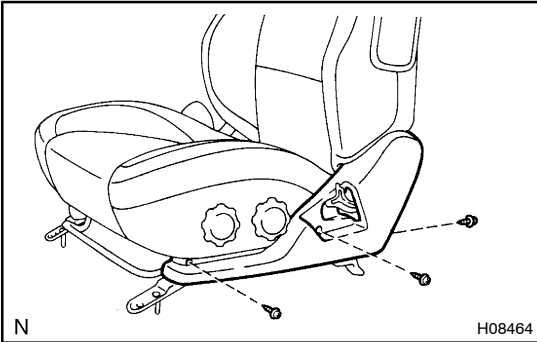
### 5. Manual adjuster type:

#### REMOVE RECLINING ADJUSTER KNOB

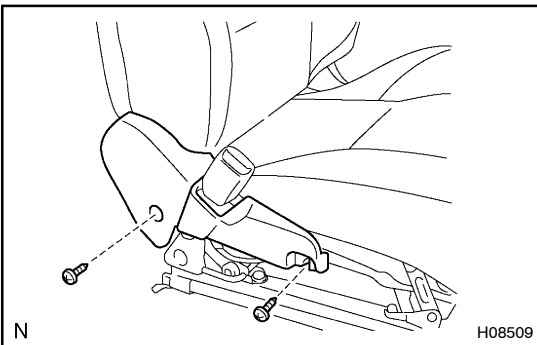
Remove the screw and reclining adjuster knob.



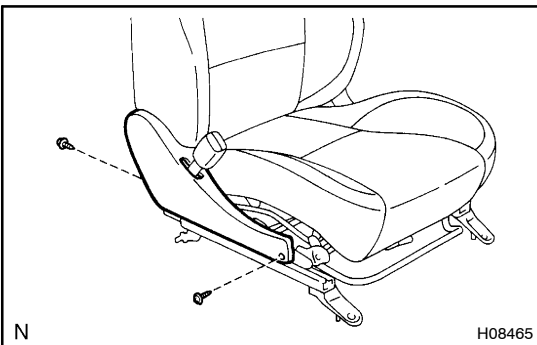
- 6. Power adjuster type:  
REMOVE FRONT SEAT CUSHION SHIELD**  
Remove the 4 screws and front seat cushion shield.



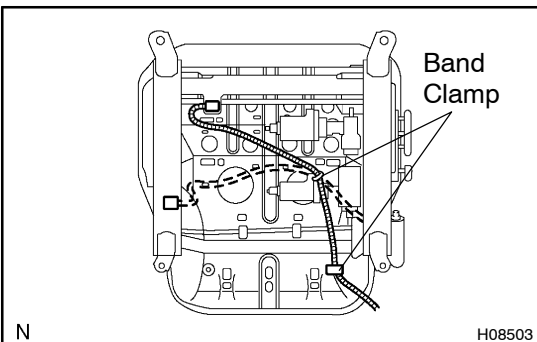
- 7. Manual adjuster type:  
REMOVE FRONT SEAT CUSHION SHIELD**  
Remove the 3 screws and front seat cushion shield.



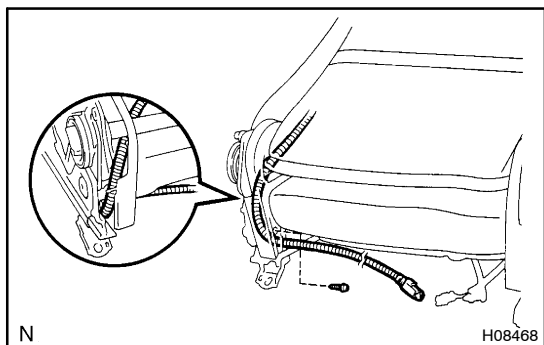
- 8. Power adjuster type:  
REMOVE FRONT SEAT CUSHION INNER SHIELD**  
Remove the 2 screws and front seat cushion inner shield.



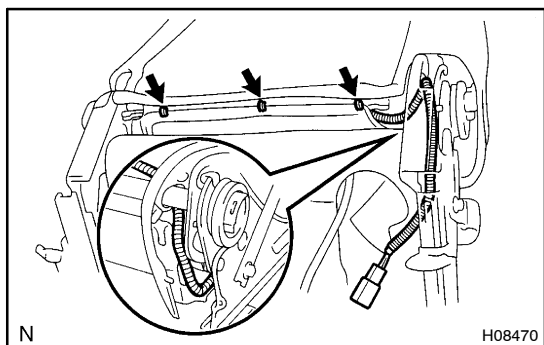
- 9. Manual adjuster type:  
REMOVE FRONT SEAT CUSHION INNER SHIELD**  
Remove the 2 screws and front seat cushion inner shield.



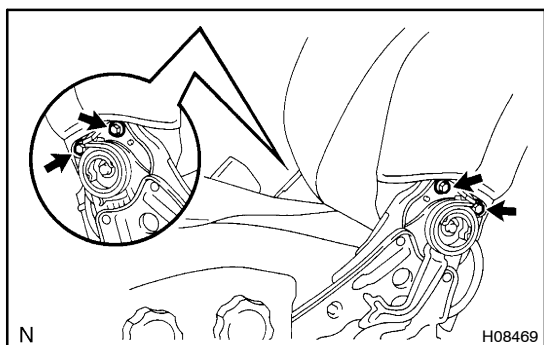
- 10. DISCONNECT WIRE HARNESS FOR SIDE AIRBAG ASSEMBLY FROM SEAT CUSHION ASSEMBLY**
- (a) Remove the band clamps.
  - (b) Pull out the wire harness of the side airbag assembly and seat heater (w/ seat heater).

**11. REMOVE SEATBACK ASSEMBLY**

- (a) Remove the LH reclining adjuster inside cover set screw.
- (b) Disconnect the wire harness of the side airbag assembly from the LH reclining adjuster inside cover.



- (c) Remove the 3 hog rings.



- (d) Remove the 4 bolts and move the seatback assembly a little upward.

**NOTICE:**

**Do not apply unnatural force to the airbag wire harness.**

- (e) Remove the seatback assembly.

**NOTICE:**

**Take care not to let the airbag wire harness catch on the seat adjuster assembly, as this can damage the airbag wire harness.**