

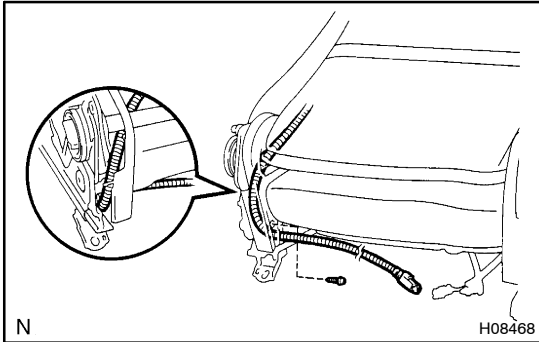
INSTALLATION

NOTICE:

Never use airbag parts from another vehicle. When replacing parts, replace them with new parts.

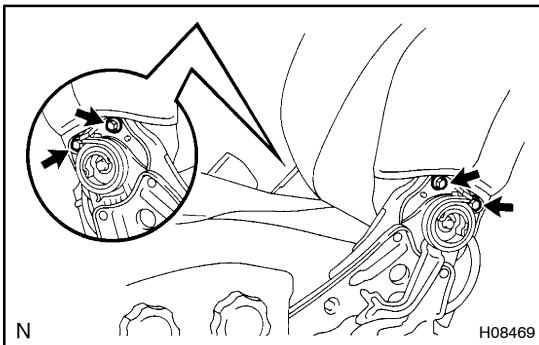
1. INSTALL SEATBACK ASSEMBLY

- (a) Temporarily install the seatback assembly.



- (b) Set the wire harness of the side airbag assembly to the LH reclining adjuster inside cover, as shown.

- (c) Install the LH reclining adjuster inside cover set screw.

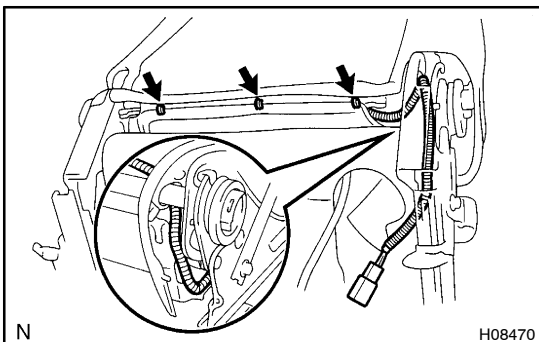


- (d) Install the 4 bolts.

Torque: 43 N·m (440 kgf·cm, 32 ft·lbf)

NOTICE:

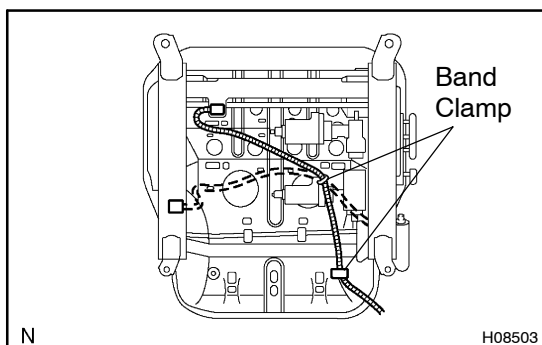
- Make sure that the seatback assembly is installed with the specified torque.
- If the seatback assembly has been dropped, or there are cracks, dents or other defects in the case or connector, replace the seatback assembly with a new one.
- When installing the seatback assembly, take care it is not pinched between other parts.



- (e) Install 3 new hog rings, as shown in the illustration.

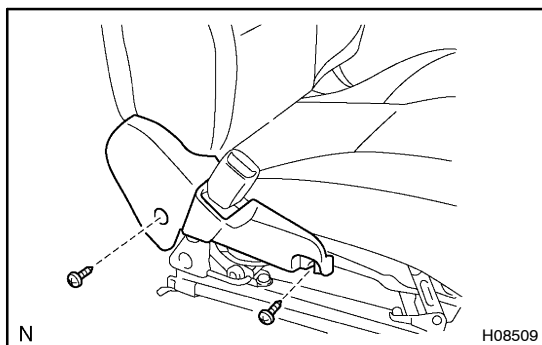
HINT:

When installing the hog rings, take care to prevent wrinkles as little as possible.



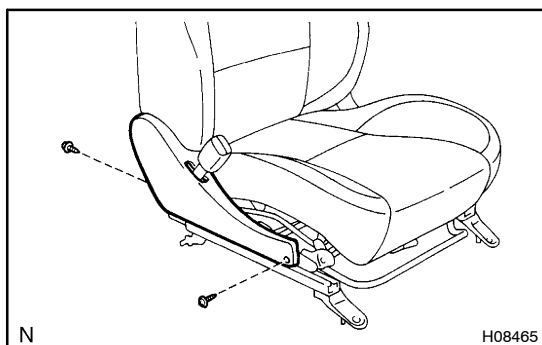
2. SET WIRE HARNESS FOR SIDE AIRBAG ASSEMBLY TO SEAT CUSHION ASSEMBLY

- (a) Set the wire harness of the side airbag assembly and seat heater (w/ seat heater).
- (b) Install the band clamps, as shown in the illustration.



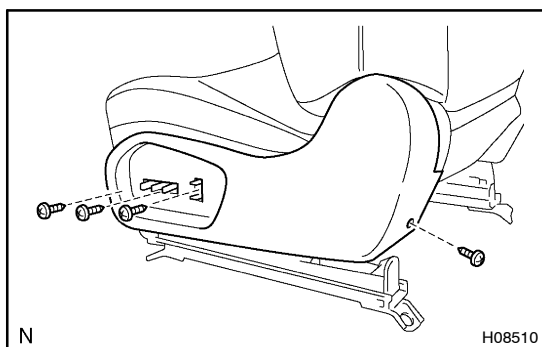
**3. Power adjuster type:
INSTALL FRONT SEAT CUSHION INNER SHIELD**

Install the front seat cushion inner shield with the 2 screws.



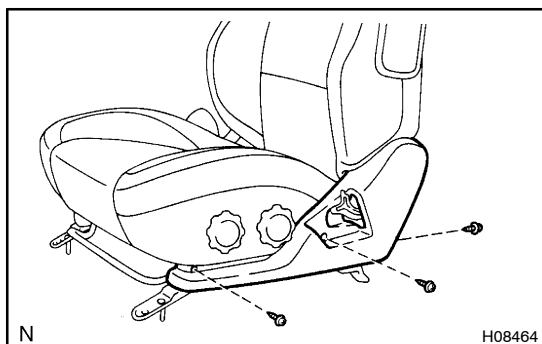
**4. Manual adjuster type:
INSTALL FRONT SEAT CUSHION INNER SHIELD**

Install the front seat cushion inner shield with the 2 screws.



**5. Power adjuster type:
INSTALL FRONT SEAT CUSHION SHIELD**

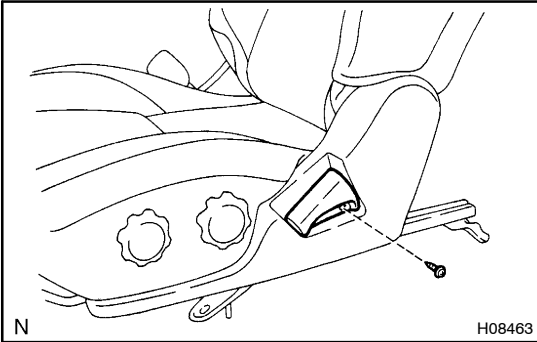
Install the front seat cushion shield with the 4 screws.



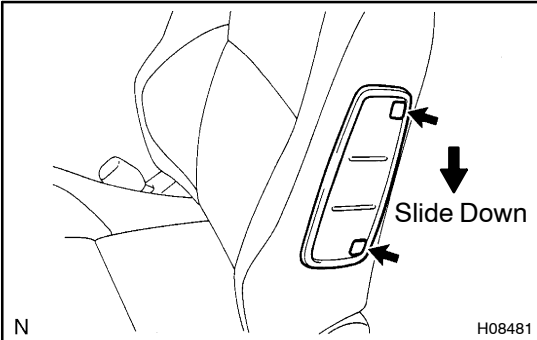
**6. Manual adjuster type:
INSTALL FRONT SEAT CUSHION SHIELD**

Install the front seat cushion shield with the 3 screws.

**7. Power adjuster type:
INSTALL POWER SEAT SWITCH KNOBS**



- 8. Manual adjuster type:
INSTALL RECLINING ADJUSTER KNOB**
Install the reclining adjuster knob with the screw.



- 9. INSTALL FRONT SEAT AIRBAG DOOR**
(a) Slide down the front seat airbag door and install it.
(b) Install the front seat airbag door with the 2 screws.
Torque: 4.7 N·m (48 kgf·cm, 42 in·lbf)

10. INSTALL HEADREST

11. INSTALL FRONT SEAT

- (a) Mount the front seat to the vehicle.

NOTICE:

When mounting the seat to the vehicle, take care not to damage the airbag wire harness.

- (b) Connect the connectors under the front seat.
(c) Slide the front seat to the front most position.

NOTICE:

Make sure that seat adjuster locks.

- (d) Tighten the bolts on the rear side temporarily, starting from the bolt on the inner side tighten them completely.

Torque: 37 N·m (375 kgf·cm, 27 ft·lbf)

- (e) Slide the seat to the rearmost position to install the bolts on the front side.

Torque: 37 N·m (375 kgf·cm, 27 ft·lbf)