

REASSEMBLY

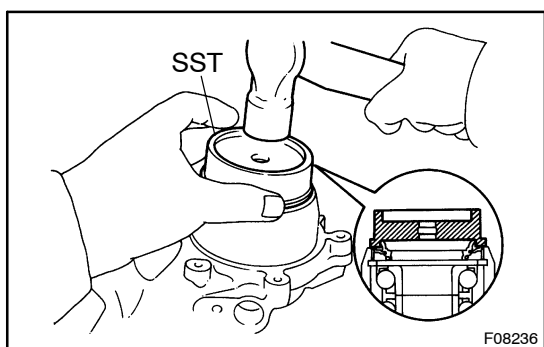
1. INSTALL BEARING

- (a) Using SST and a press, install a new bearing to the steering knuckle.
 SST 09502-24010, 09950-60020 (09951-00710),
 09950-70010 (09951-07150)

NOTICE:

If the inner race and balls come loose from the bearing outer race, make sure that they are installed on the same side as before.

- (b) Using snap ring pliers, install a new snap ring to the steering knuckle.



2. INSTALL OIL SEAL

- (a) Using SST and a hammer, install a new oil seal until it is flush with the end surface of the steering knuckle.
 SST 09608-32010
 (b) Coat MP grease to the oil seal lip.

3. INSTALL AXLE HUB

- (a) Install the brake dust cover to the steering knuckle with the 4 bolts.

Torque: 8.3 N·m (85 kgf·cm, 74 in·lbf)

- (b) Using SST and a press, install the axle hub to the steering knuckle.

SST 09316-60011 (09316-00011, 09316-00071),
 09608-32010

4. INSTALL ABS SPEED SENSOR ROTOR

Install the speed sensor rotor to the steering knuckle with its concave surface facing to the inner side.

NOTICE:

Do not scratch the serrations of the sensor rotor.

5. INSTALL LOCK NUT

- (a) Using a socket wrench (32 mm), install a new lock nut.
Torque: 147 N·m (1,500 kgf·cm, 108 ft·lbf)
 (b) Using a chisel and hammer, stake the lock nut.

6. INSTALL GREASE CAP

Using a screwdriver and hammer, install the grease cap to the steering knuckle.

