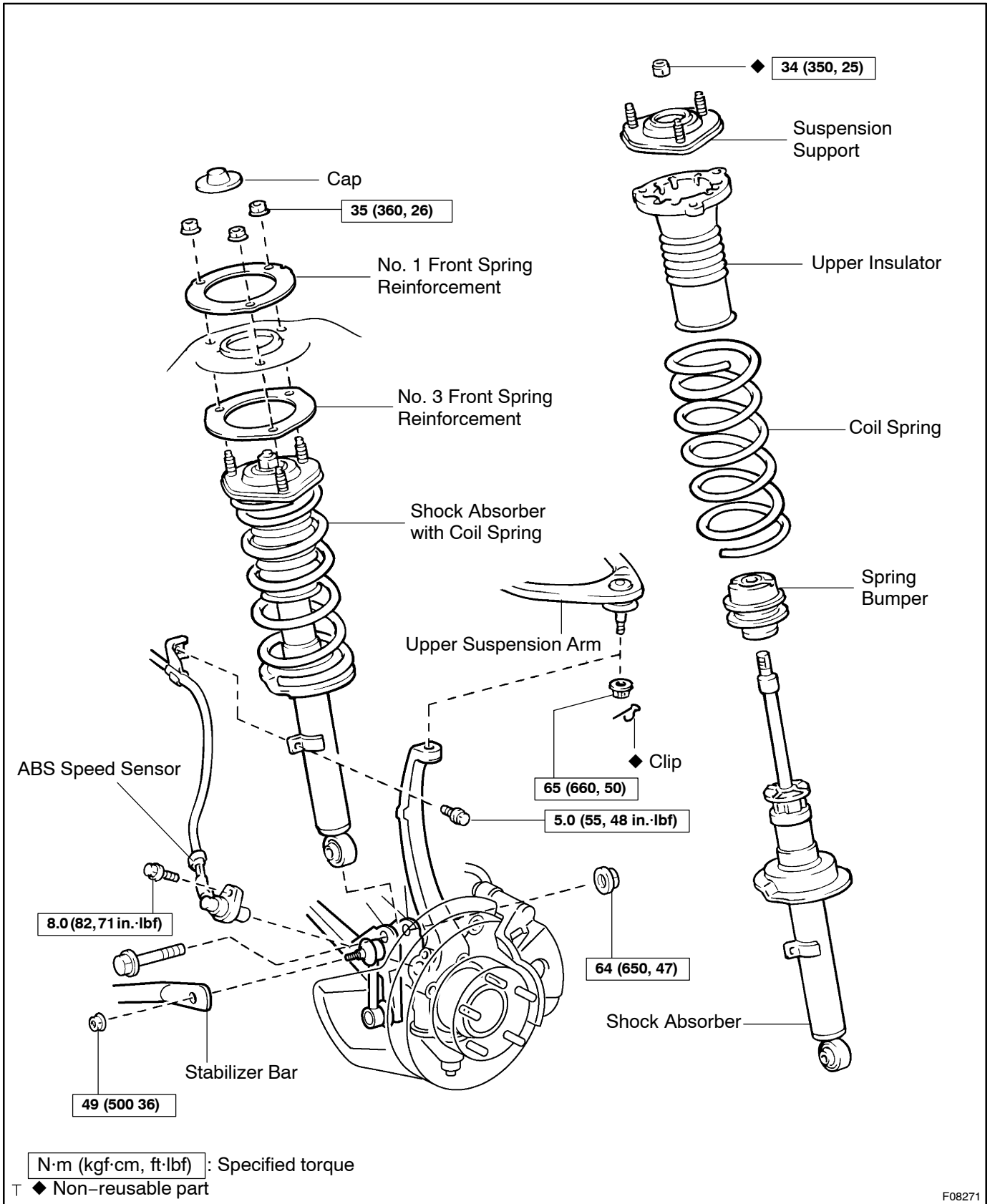


FRONT SHOCK ABSORBER COMPONENTS

SAORB-04



F08271