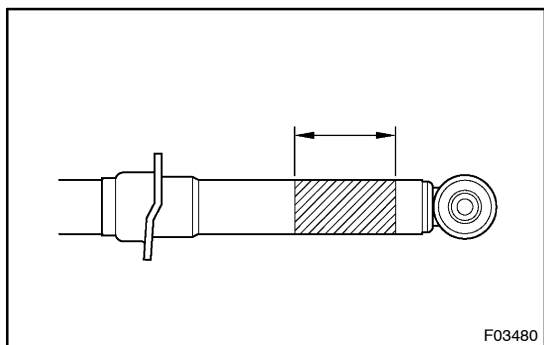


DISPOSAL

1. FULLY EXTEND SHOCK ABSORBER PISTON ROD



2. DRILL HOLE TO DISCHARGE GAS FROM CYLINDER

- (a) Place the shock absorber horizontally to prevent the oil from coming out.
- (b) Using a drill, make a hole on the top of the shell as shown to discharge the gas inside.

CAUTION:

- **When drilling, chips may fly out, work carefully.**
- **The gas is colorless, odorless and non-poisonous.**