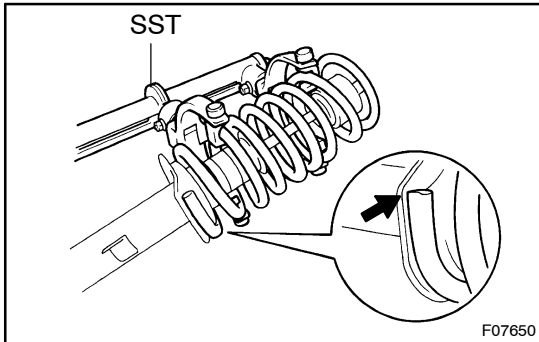


## REASSEMBLY

### 1. INSTALL SPRING BUMPER TO PISTON ROD



### 2. INSTALL COIL SPRING

- (a) Using SST, compress the coil spring.  
SST 09727-30021 (09727-00010, 09727-00021, 09727-00031)

#### NOTICE:

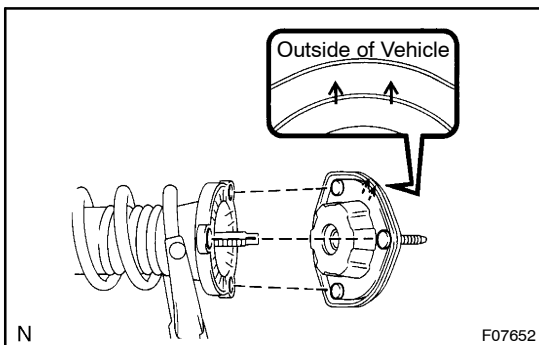
**Do not use an impact wrench. It will damage the SST.**

- (b) Install the coil spring to the shock absorber.

#### HINT:

Fit the lower end of the coil spring into the gap of the spring seat of the shock absorber.

### 3. INSTALL UPPER INSULATOR TO SHOCK ABSORBER



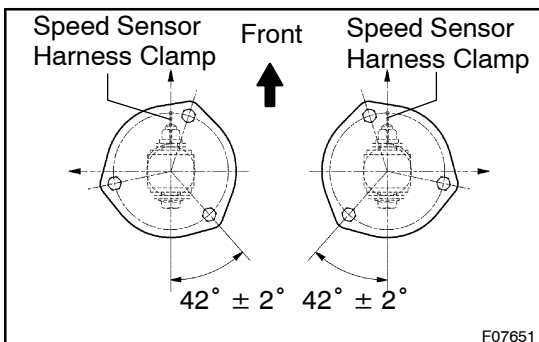
### 4. INSTALL SUSPENSION SUPPORT

- (a) Install the suspension support to the shock absorber, as shown in the illustration.

#### HINT:

Align the bolt of the suspension support with the cut-out of the upper insulator.

- (b) Temporarily tighten a new lock nut.



- (c) Align the suspension support with the shock absorber lower bolt as shown in the illustration.

### 5. REMOVE SST

- SST 09727-30021 (09727-00010, 09727-00021, 09727-00031)

#### HINT:

After removing the SST, recheck the direction of the suspension support.