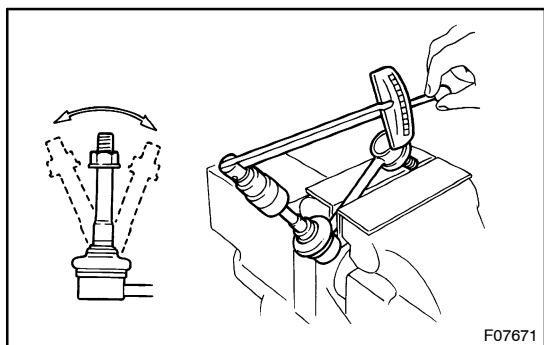


INSPECTION

1. INSPECT STABILIZER BAR LINK BALL JOINT BOOT FOR DAMAGE



2. INSPECT STABILIZER BAR LINK BALL JOINT FOR ROTATION CONDITION

- (a) As shown in the illustration, flip the ball joint stud back and forth 5 times before installing the nut.
- (b) Using a torque wrench, turn the stud continuously 1 turn per 2 - 4 seconds and take the torque reading on the 5th turn.

Turning torque:

0.05 - 1.9 N·m (0.5 - 20 kgf·cm, 0.4 - 16 in.·lbf)