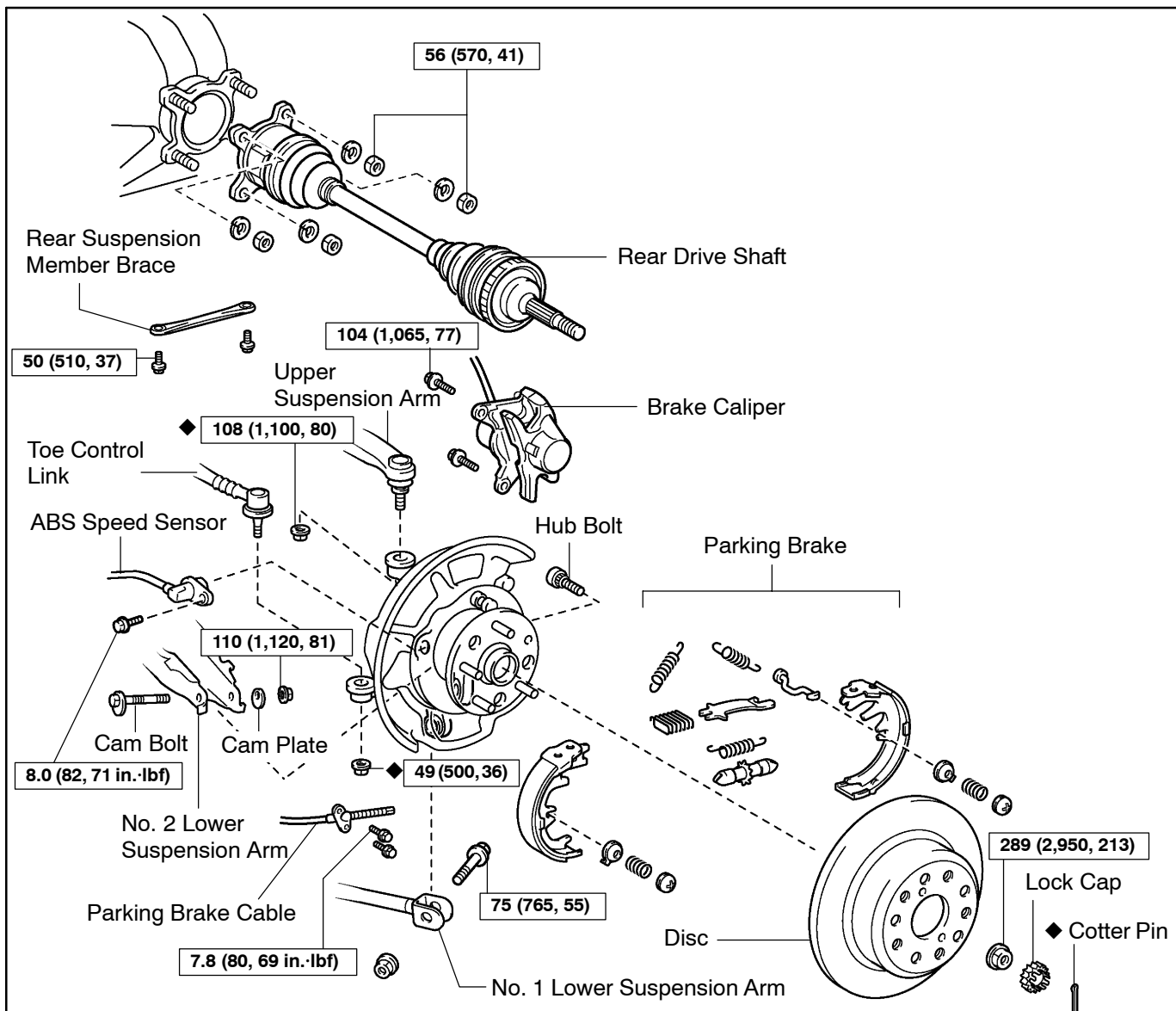
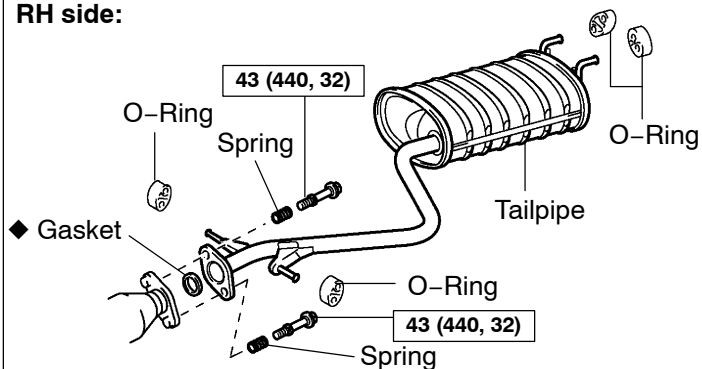


REAR AXLE CARRIER COMPONENTS

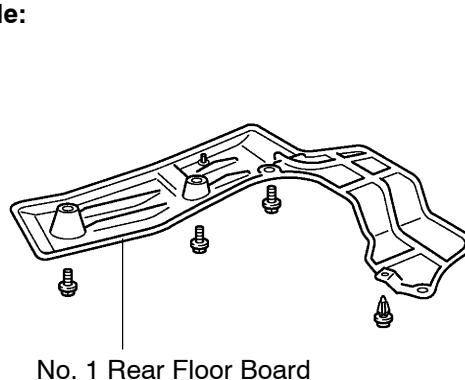
SA1J0-01



RH side:



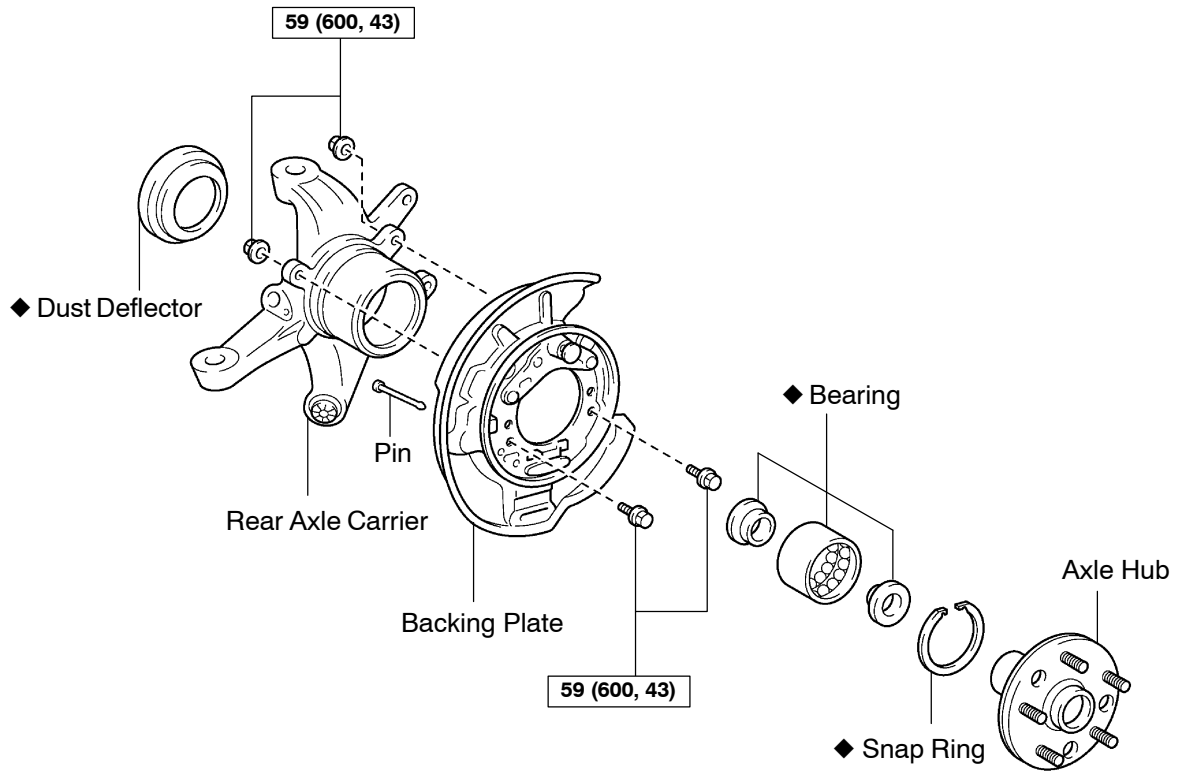
LH side:



N·m (kgf·cm, ft·lbf) : Specified torque

◆ Non-reusable part

F07673



T

N·m (kgf·cm, ft·lbf) : Specified torque

◆ Non-reusable part