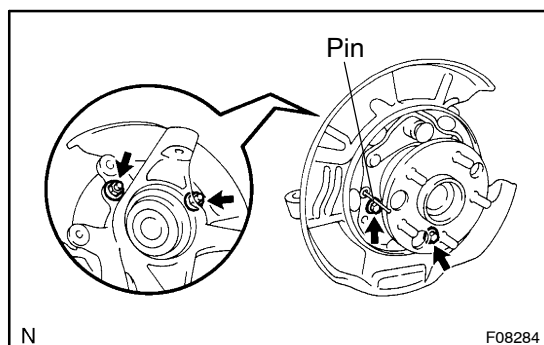


DISASSEMBLY

1. REMOVE DUST DEFLECTOR

Using a screwdriver, remove the dust deflector.



2. REMOVE AXLE HUB

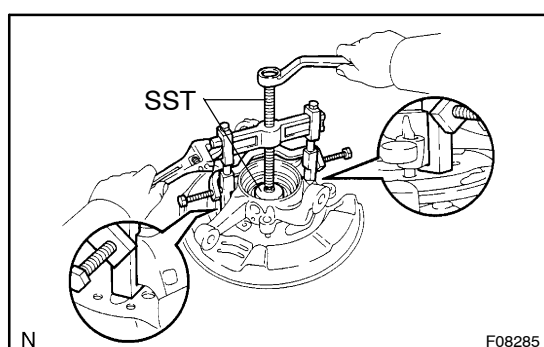
- (a) Remove the 2 bolts, nuts and pin.
- (b) Mount the axle carrier in a vise.

HINT:

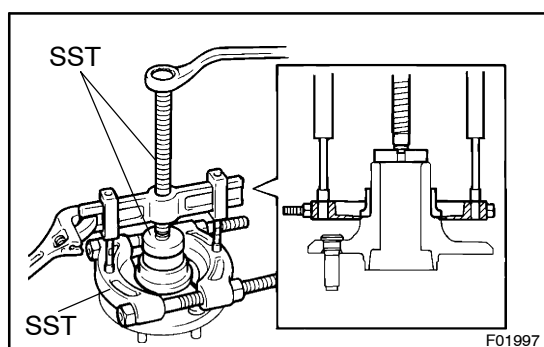
Use a set of soft jaws in the vise to protect the axle carrier.

NOTICE:

Do not tighten the vise too tight.



- (c) Using SST, remove the axle hub from the axle carrier.
SST 09950-40011 (09951-04020, 09952-04010, 09953-04030, 09954-04010, 09955-04051, 09957-04010, 09958-04011), 09950-60010 (09951-00480)
- (d) Remove the backing plate.



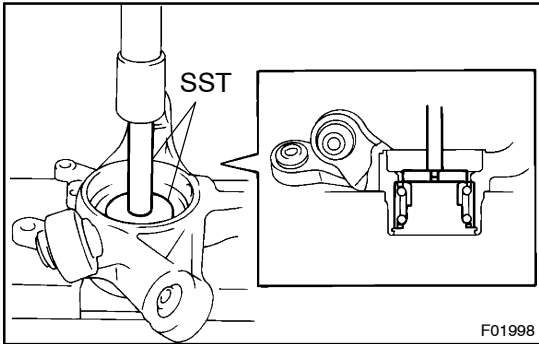
- (e) Using SST, remove the bearing inner race from the axle hub.
SST 09950-00020, 09950-40011 (09951-04020, 09953-04030, 09957-04010), 09950-50012 (09952-05010, 09954-05020, 09955-05040), 09950-60010 (09951-00480)

NOTICE:

Be careful not to damage the axle hub.

3. REMOVE BEARING

- (a) Using snap ring pliers, remove the snap ring from the axle carrier.



(b) Using SST and a press, remove the bearing from the axle carrier.

SST 09950-60010 (09951-00650),
09950-70010 (09951-07100)