

REASSEMBLY

1. INSTALL BEARING

- (a) Using SST and a press, install a new bearing to the axle carrier.

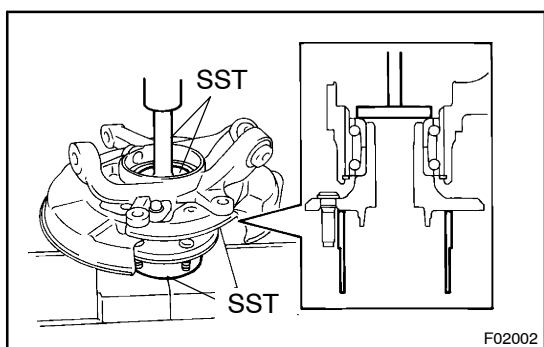
SST 09223-15020, 09527-17011,
09950-70010 (09951-07100)

- (b) Using snap ring pliers, install a new snap ring to the axle carrier.

2. INSTALL AXLE HUB

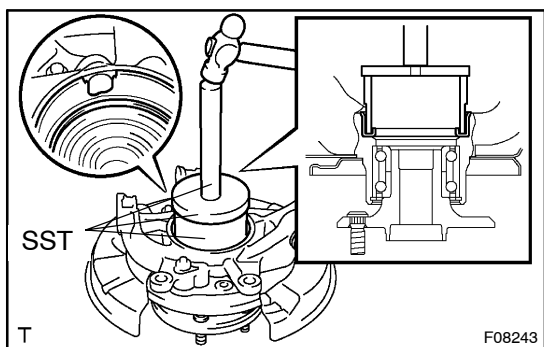
- (a) Install the backing plate, pin, 2 bolts and nuts.

Torque: 59 N·m (600 kgf·cm, 43 ft·lbf)



- (b) Using SST and a press, install the axle hub to the axle carrier.

SST 09527-17011, 09950-60020 (09551-00750),
09950-70010 (09951-07100)



3. INSTALL DUST DEFLECTOR

Using SST and a hammer, install a new dust deflector to the axle carrier.

SST 09527-17011, 09950-60020 (09951-01030),
09950-70010 (09951-07100)

HINT:

Align the speed sensor installation hole of dust deflector and that of axle carrier.