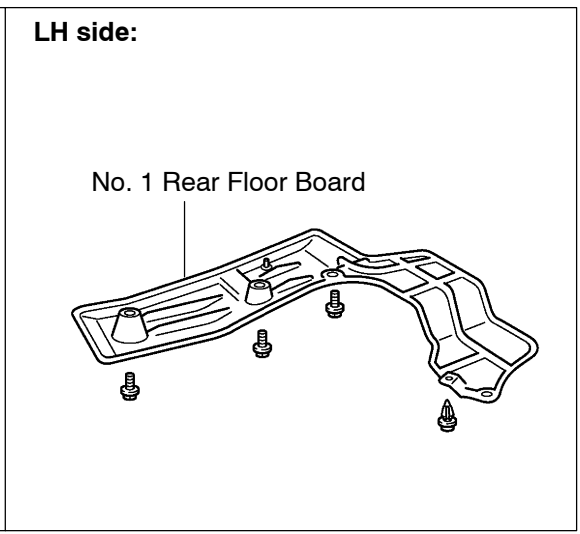
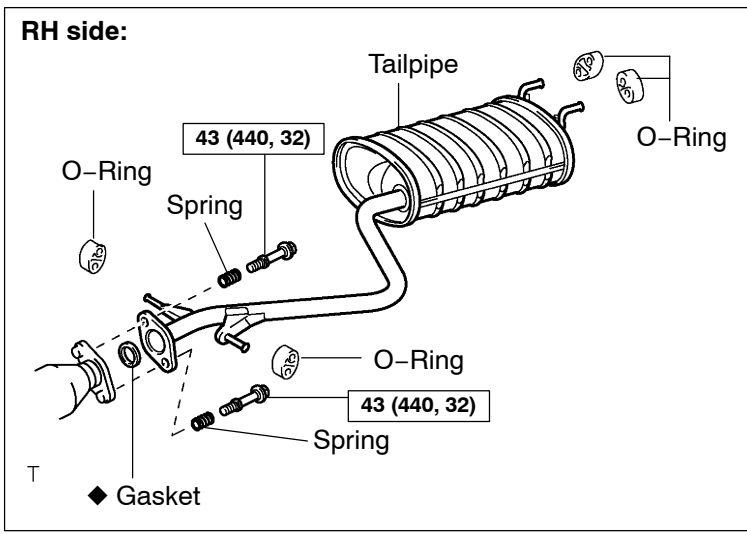
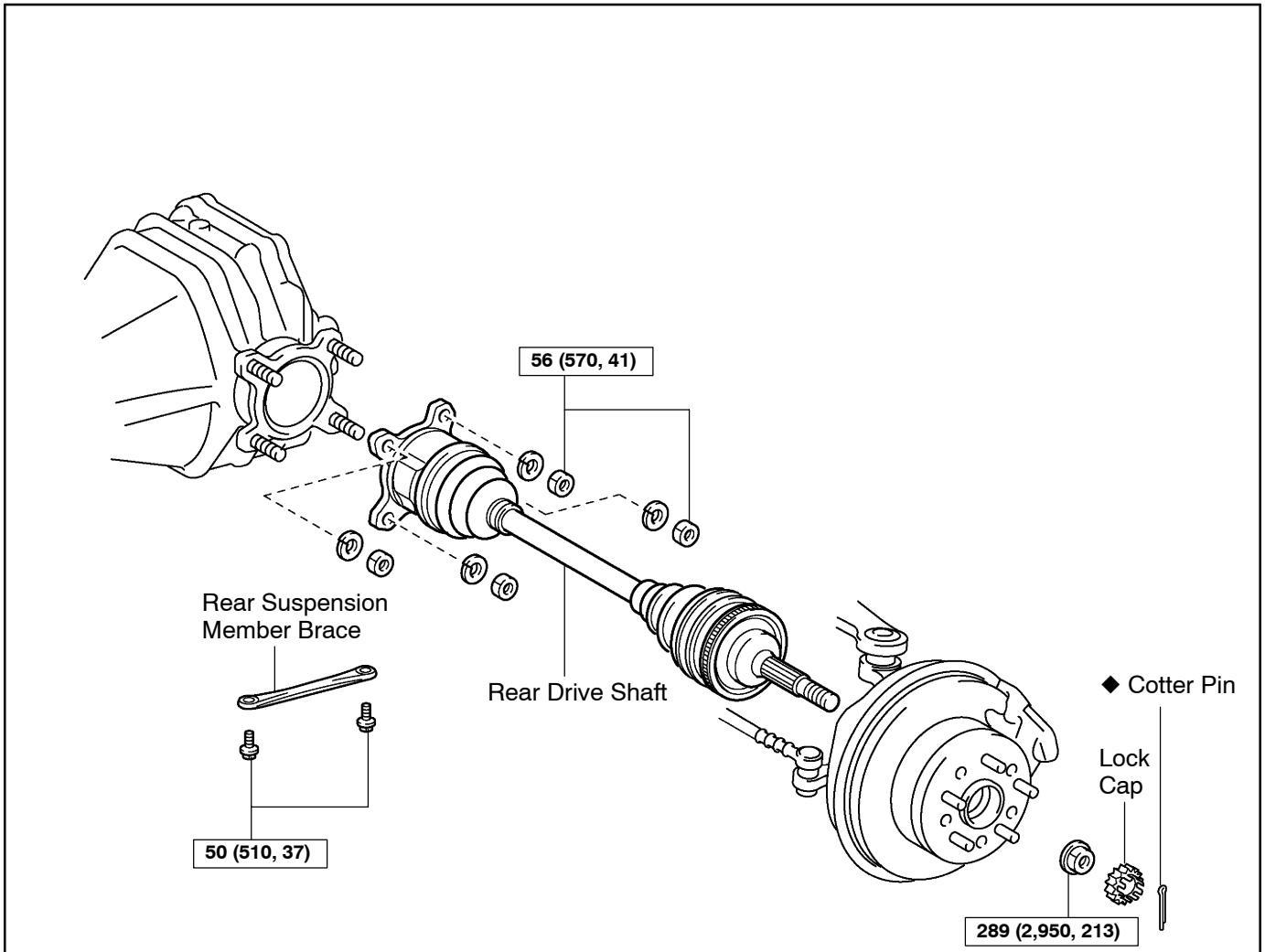


REAR DRIVE SHAFT COMPONENTS

SA1J4-01



N·m (kgf·cm, ft·lbf) : Specified torque
 ◆ Non-reusable part

F08283

