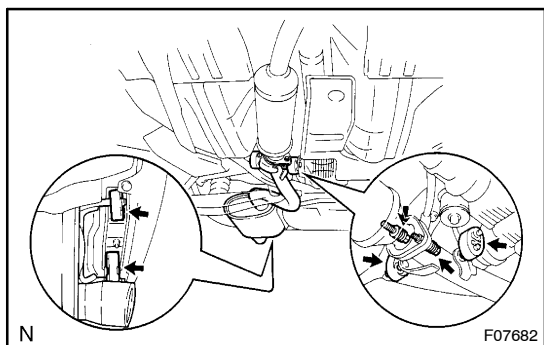
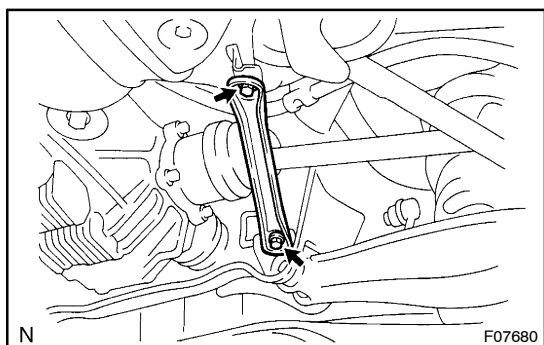


## REPLACEMENT

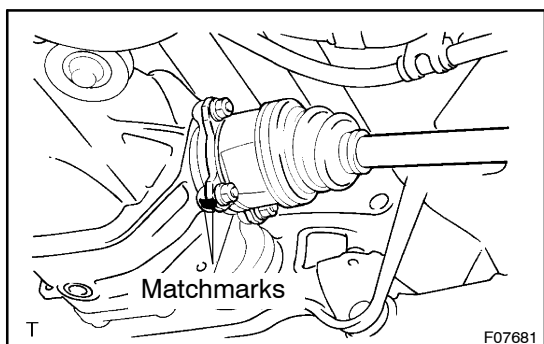
1. REMOVE NO. 1 REAR FLOOR BOARD
2. DRAIN DIFFERENTIAL OIL



3. **RH side:**  
**REMOVE TAILPIPE**
  - (a) Remove the 2 bolts, springs and disconnect the tailpipe from the center exhaust pipe.
  - (b) Disconnect the 4 O-rings from the tailpipe and remove the tailpipe.
  - (c) Support the center exhaust pipe securely.
  - (d) Remove the gasket.



4. **REMOVE REAR SUSPENSION MEMBER BRACE**  
Remove the 2 bolts and suspension member brace.



5. **DISCONNECT DRIVE SHAFT FROM SIDE GEAR SHAFT**

- (a) Place matchmarks on the drive shaft and side gear shaft.

**NOTICE:**

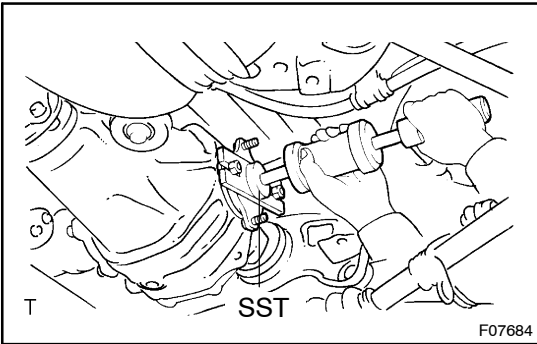
**Do not punch to mark the matchmarks. Use paint, etc.**

- (b) Remove the 4 nuts and washers while depressing the brake pedal.
- (c) Push and compress the inboard joint and disconnect the drive shaft from the side gear shaft.

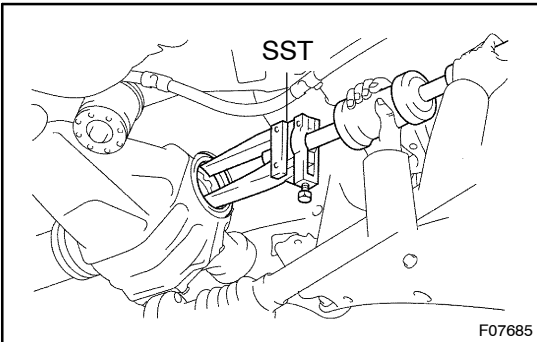
**NOTICE:**

**Be careful not to damage the boots and inboard joint tulip.**

- (d) Support the drive shaft securely.

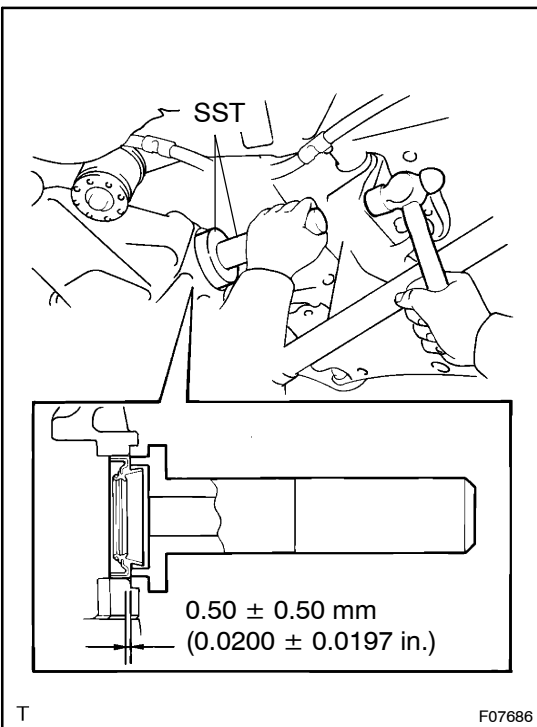
**6. REMOVE SIDE GEAR SHAFT**

- (a) Using SST and the 2 nuts, remove the side gear shaft.  
SST 09520-24010
- (b) Using needle-nose pliers, remove the snap ring from the side gear shaft.

**7. REMOVE SIDE GEAR SHAFT OIL SEAL**

Using SST, remove the oil seal.

SST 09308-00010

**8. INSTALL SIDE GEAR SHAFT OIL SEAL**

- (a) Using SST and a hammer, install a new oil seal.

SST 09554-22010

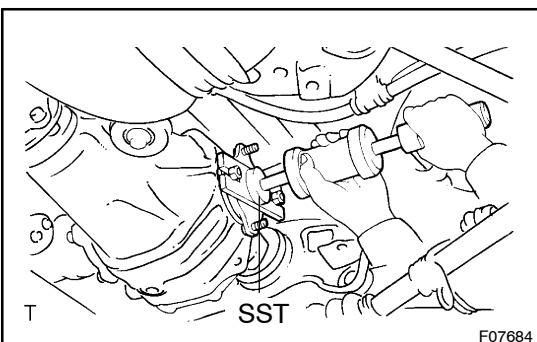
**Oil seal drive in depth:**

**0.50 ± 0.50 mm (0.0200 ± 0.0197 in.)**

- (b) Coat MP grease to the oil seal lip.

**9. INSTALL SIDE GEAR SHAFT**

- (a) Using needle-nose pliers, install a new snap ring to the side gear shaft.
- (b) Coat the snap ring with MP grease.



- (c) Using SST and the 2 nuts, install the side gear shaft.

SST 09520-24010

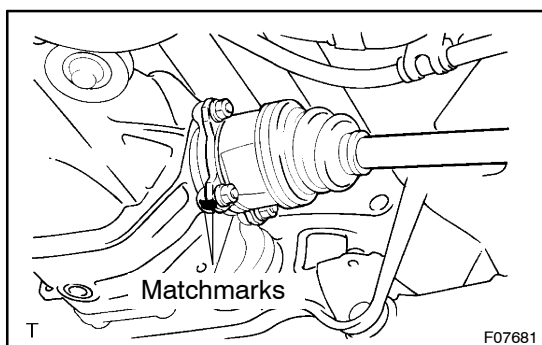
**NOTICE:**

**Be careful not to damage the side gear shaft oil seal.**

**HINT:**

- Before installing the drive shaft, set the snap ring with its opening side facing downward.
- Whether the side gear shaft is in contact with the side gear or not can be known from the sound or feeling when driving it.

- (d) Check that the side gear shaft will not come out by trying to pull it out by hand.



#### 10. CONNECT DRIVE SHAFT TO SIDE GEAR SHAFT

- (a) Align the matchmarks and push and compress the inboard joint and connect the drive shaft to the side gear shaft.

#### NOTICE:

**Be careful not to damage the boots and inboard joint tulip.**

- (b) Install the 4 washers and nuts while depressing the brakes pedal.

**Torque: 56 N·m (570 kgf·cm, 41 ft·lbf)**

#### 11. INSTALL REAR SUSPENSION MEMBER BRACE

**Torque: 50 N·m (510 kgf·cm, 37 ft·lbf)**

#### 12. RH side:

##### INSTALL TAILPIPE

- (a) Install a new gasket.  
 (b) Install the tailpipe to the 4 O-rings.  
 (c) Connect the tailpipe to the center exhaust pipe with the 2 springs and bolts.

**Torque: 43 N·m (440 kgf·cm, 32 ft·lbf)**

#### 13. FILL AND CHECK DIFFERENTIAL OIL LEVEL

(See page SA-65)

#### 14. INSTALL NO. 1 REAR FLOOR BOARD