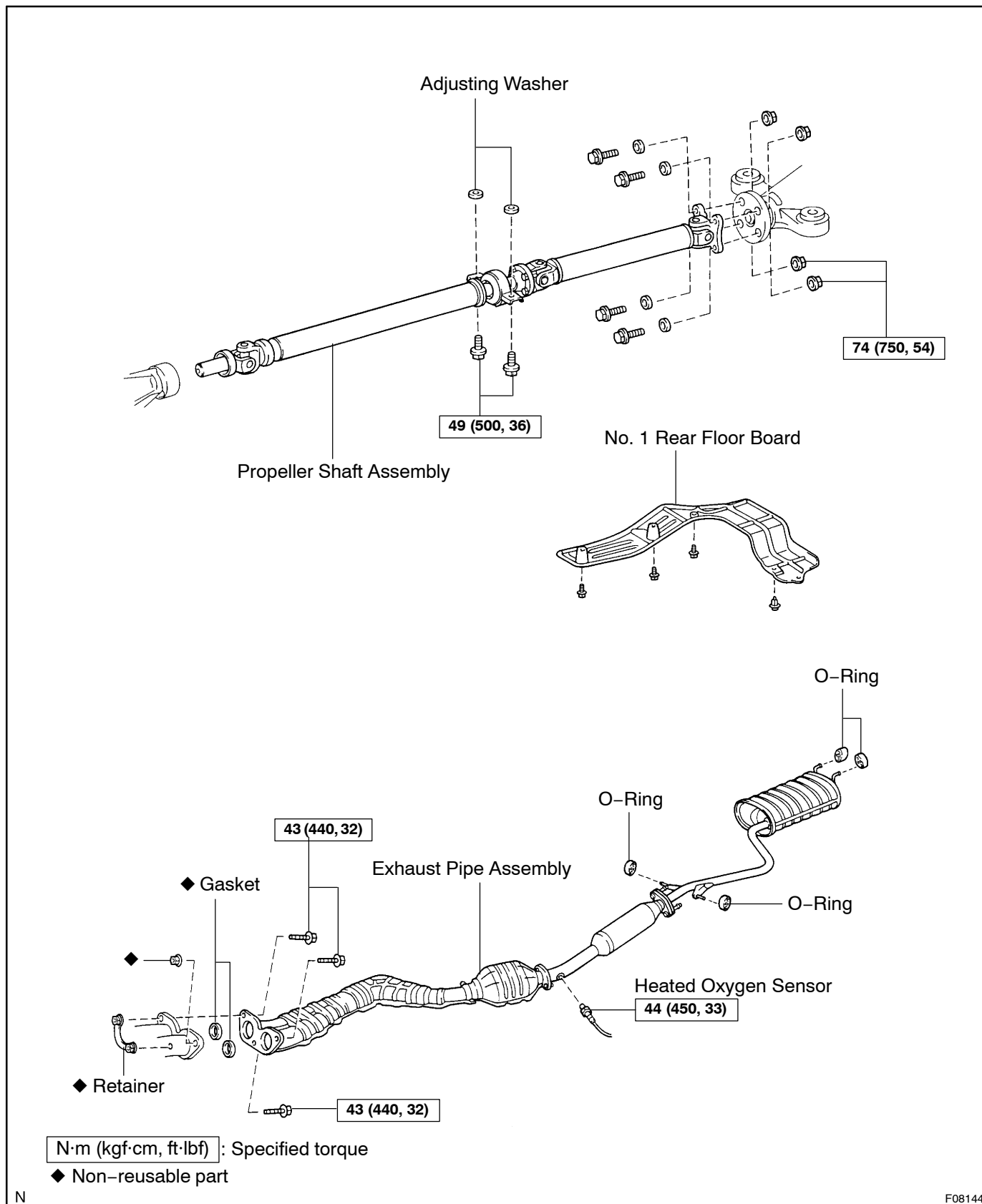


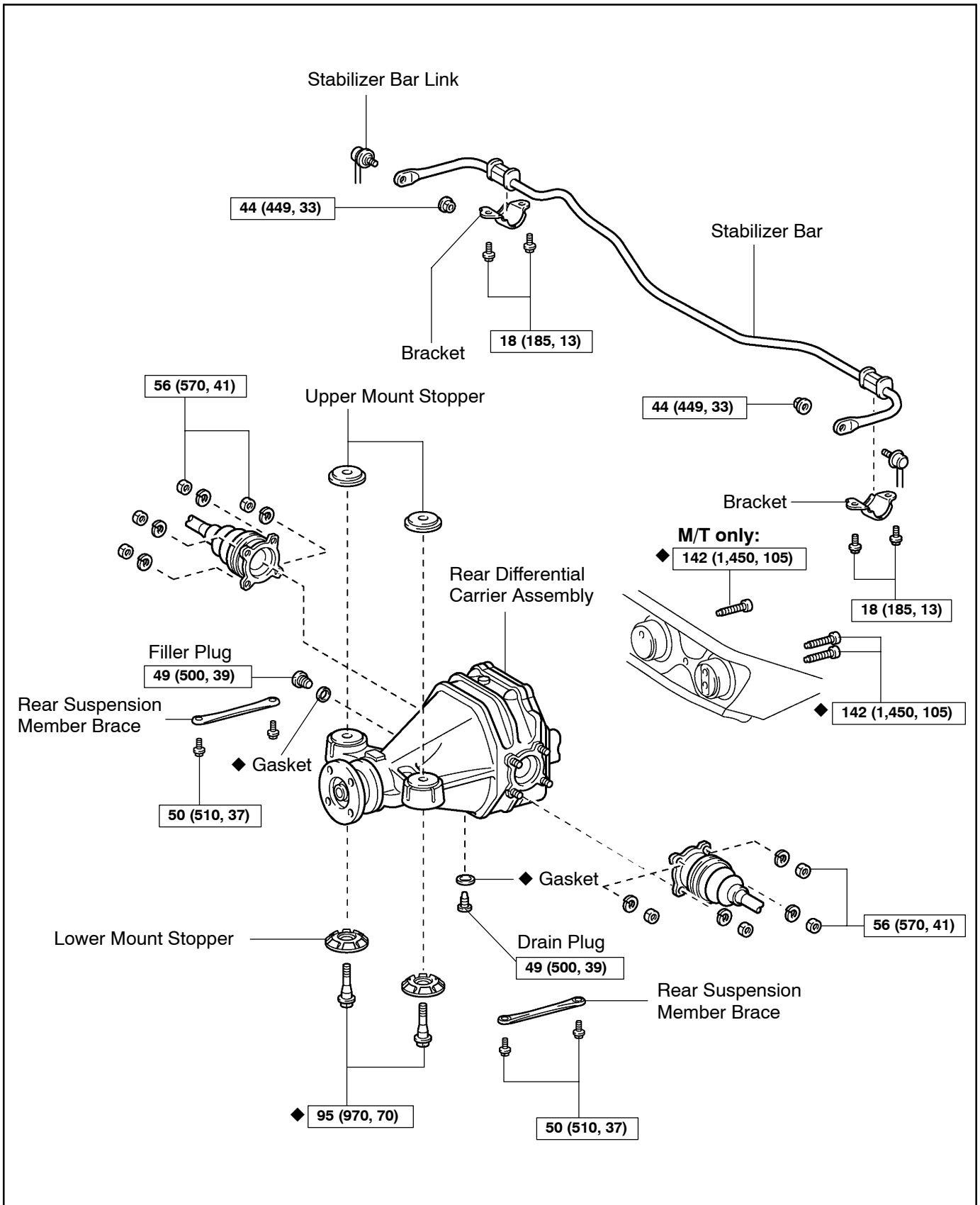
DIFFERENTIAL MOUNTING CUSHION COMPONENTS

SA1JH-01



N

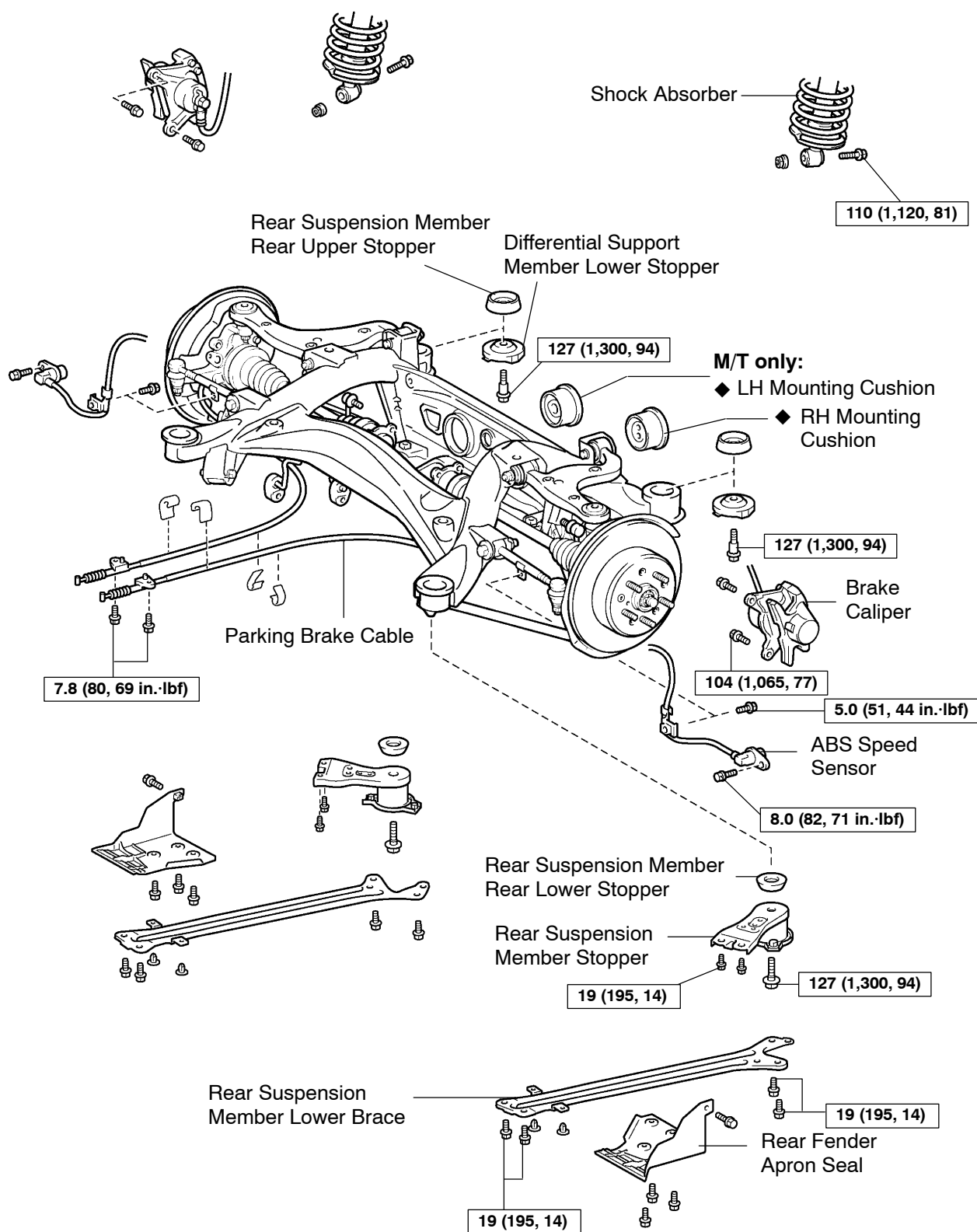
F08144



T

N·m (kgf·cm, ft·lbf) : Specified torque

◆ Non-reusable part



T

N·m (kgf·cm, ft·lbf) : Specified torque

◆ Non-reusable part