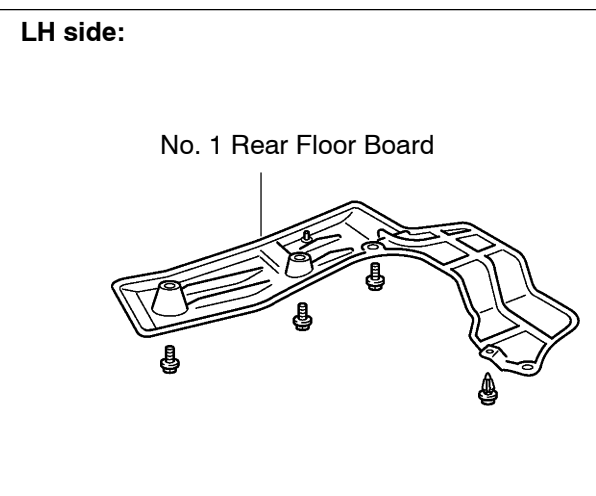
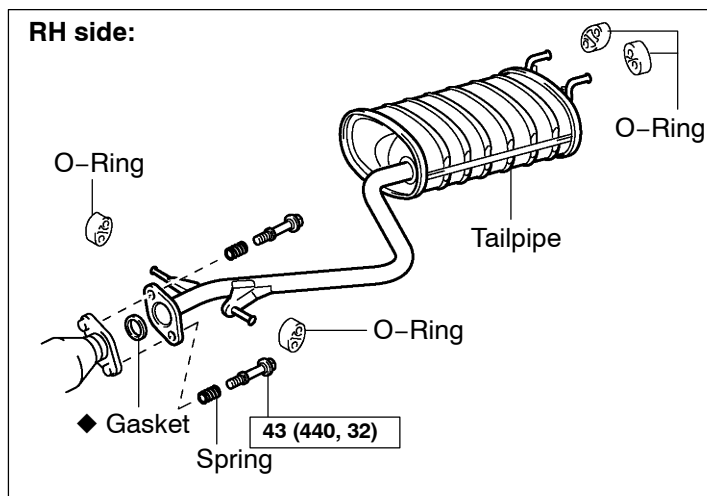
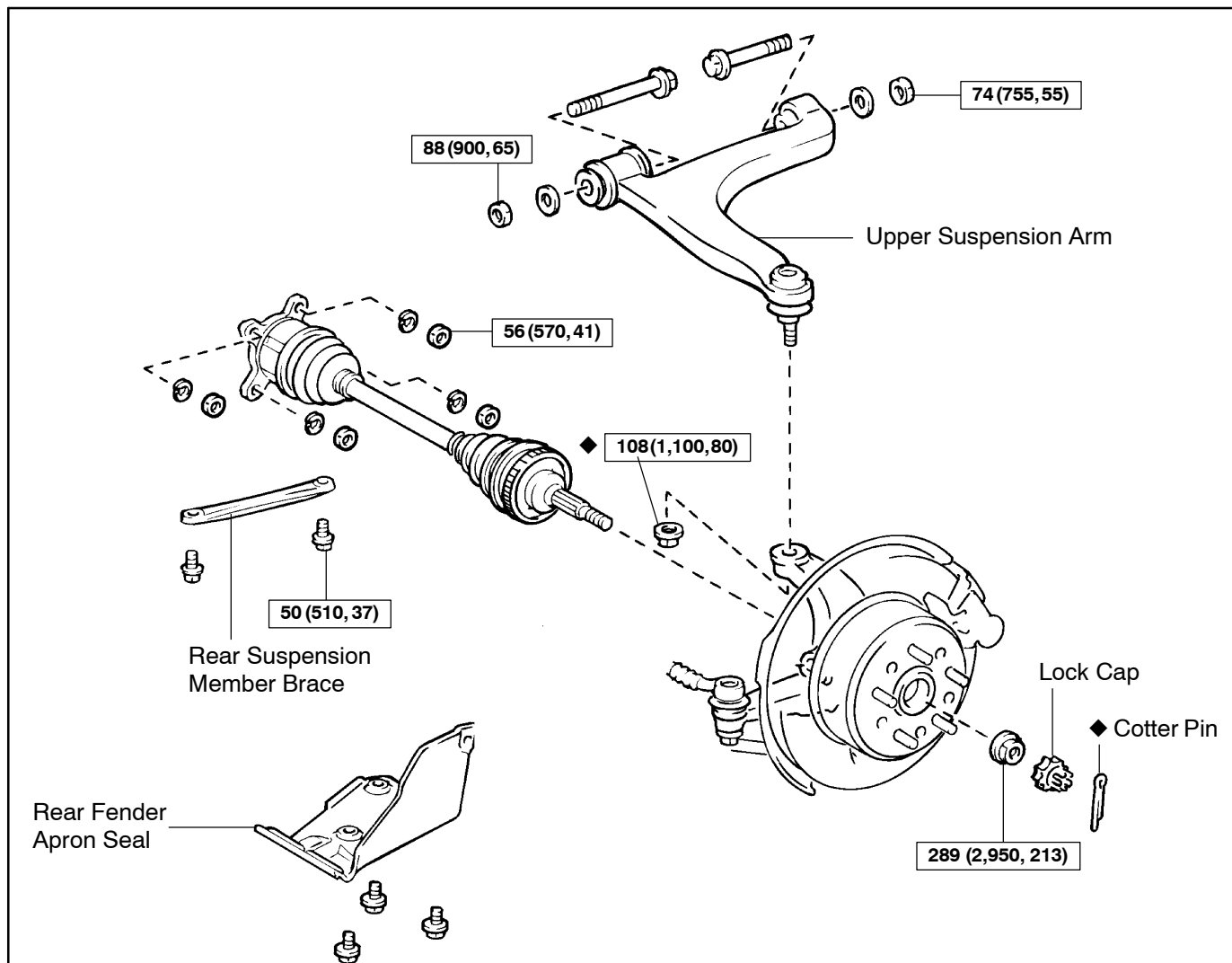


REAR UPPER SUSPENSION ARM COMPONENTS

SAOSP-03



N·m (kgf·cm, ft·lbf) : Specified torque

◆ Non-reusable part

F07715