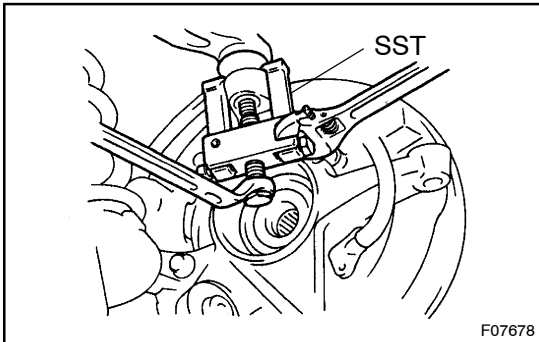
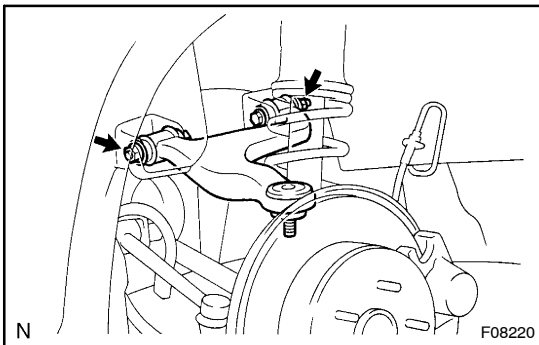


## REMOVAL

1. REMOVE REAR WHEEL
2. REMOVE DRIVE SHAFT (See page SA-56)
3. REMOVE UPPER SUSPENSION ARM
  - (a) Remove the nut.



- (b) Using SST, disconnect the upper suspension arm from the axle carrier.  
SST 09628-62011
- (c) Support the axle carrier securely.



- (d) Remove the 2 nuts, washers, bolts and upper suspension arm from the body.