

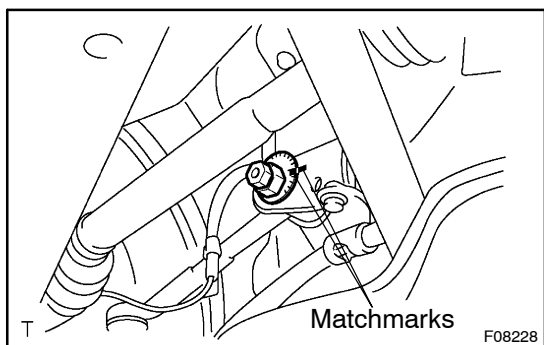
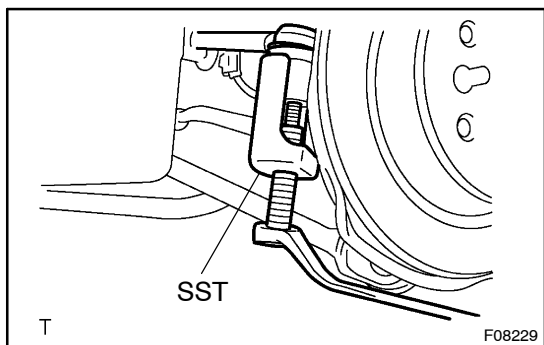
REMOVAL

1. REMOVE REAR WHEEL
2. REMOVE REAR FENDER APRON SEAL
3. DISCONNECT ABS SPEED SENSOR WIRE HARNESS FROM TOE CONTROL LINK

Remove the bolt and disconnect the ABS speed sensor wire harness.

4. REMOVE TOE CONTROL LINK

- (a) Remove the nut.
- (b) Using SST, disconnect the toe control link from the axle carrier.
SST 09610-20012



- (c) Place matchmarks on the cam plate and rear suspension member.
- (d) Remove the nut, cam plate, cam bolt, toe control link piece and toe control link from the axle carrier.