

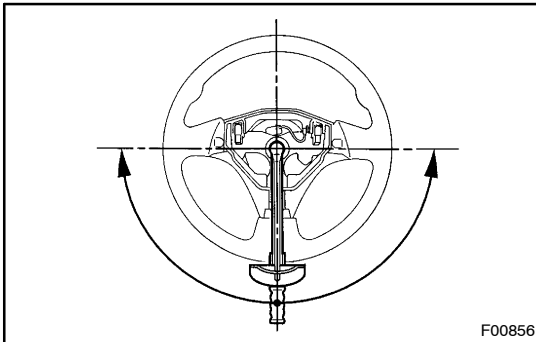
STEERING WHEEL INSPECTION

SR05R-06

1. CHECK STEERING WHEEL FREEPLAY

- Stop the vehicle and face the tires straight ahead.
- Rock the steering wheel gently up and down with a finger lightly, check the steering wheel freeplay.

Maximum freeplay: 30 mm (1.18 in.)



2. CHECK STEERING EFFORT

- Center the steering wheel.
- Remove the steering wheel pad (See page SR-12).
- Start the engine and run it at idle.
- Measure the steering effort in both directions.

Steering effort (Reference):

4.2 - 5.4 N·m (43 - 55 kgf·cm, 37 - 48 in.·lbf)

HINT:

Take the tire type, pressure and contact surface into consideration before making your diagnosis.

- Torque the steering wheel set nut.

Torque: 35 N·m (360 kgf·cm, 26 ft·lbf)

- Install the steering wheel pad (See page SR-23).