

REPLACEMENT

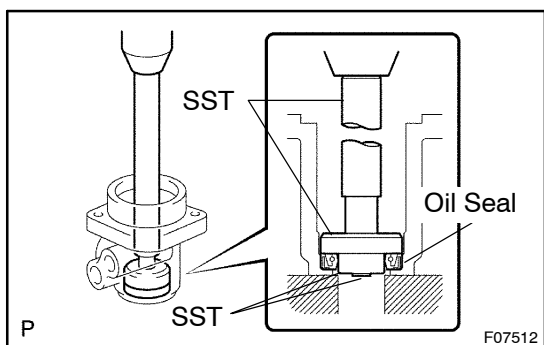
NOTICE:

When using a vise, do not overtighten it.

1. IF NECESSARY, REPLACE OIL SEAL AND BEARING

- (a) Using SST, press out the bearing and oil seal from the control valve housing.

SST 09950-60010 (09951-00240),
09950-70010 (09951-07100)



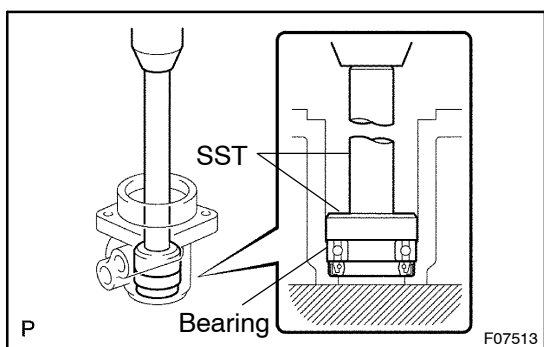
- (b) Coat a new oil seal lip with power steering fluid.

- (c) Using SST, press in the oil seal.

SST 09950-60010 (09951-00180, 09951-00320,
09952-06010), 09950-70010 (09951-07150)

NOTICE:

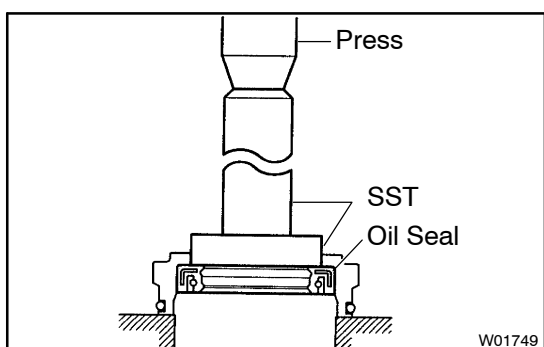
Make sure that the oil seal is installed facing in the correct direction.



- (d) Coat a new bearing with molybdenum disulfide lithium base grease.

- (e) Using SST, press in the bearing.

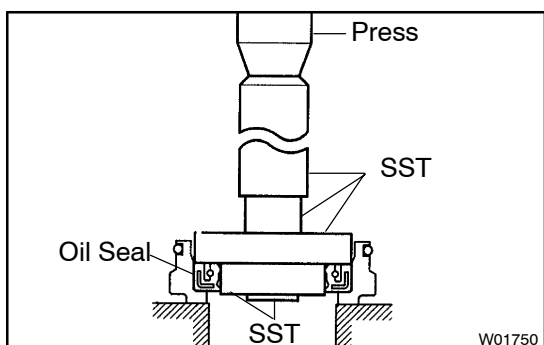
SST 09950-60010 (09951-00340),
09950-70010 (09951-07150)



2. IF NECESSARY, REPLACE OIL SEAL

- (a) Using SST, press out the oil seal from the bearing guide nut.

SST 09950-60010 (09951-00310),
09950-70010 (09951-07100)



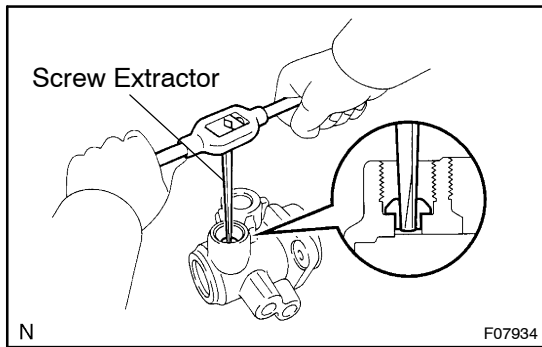
- (b) Coat a new oil seal lip with power steering fluid.

- (c) Using SST, press in the oil seal.

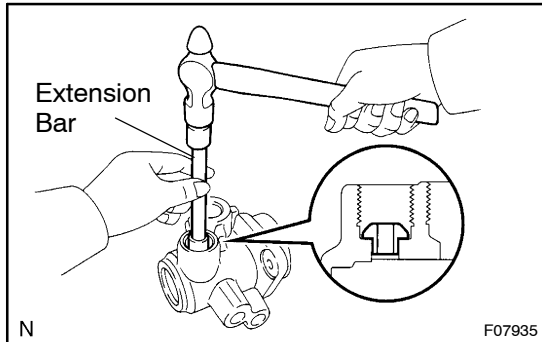
SST 09950-60010 (09951-00250, 09951-00360,
09952-06010), 09950-70010 (09951-07100)

NOTICE:

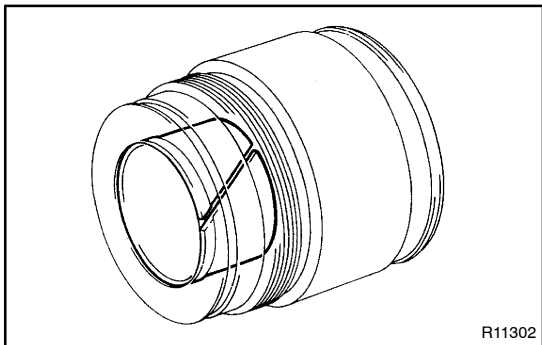
Make sure that the oil seal is installed facing in the correct direction.

**3. IF NECESSARY, REPLACE UNION SEAT**

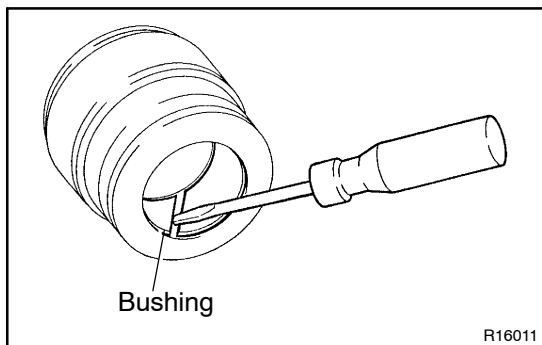
- (a) Using a screw extractor, remove the union seat from the control valve housing.



- (b) Using a plastic hammer and extension bar, lightly tap in a new union seat.

**4. INSPECT BUSHING**

- (a) Check the inside of the bushing of the cylinder end stopper for cracks. If faulty, replace the bushing.
- (b) Apply molybdenum disulfide lithium base grease to the inside of the bushing.

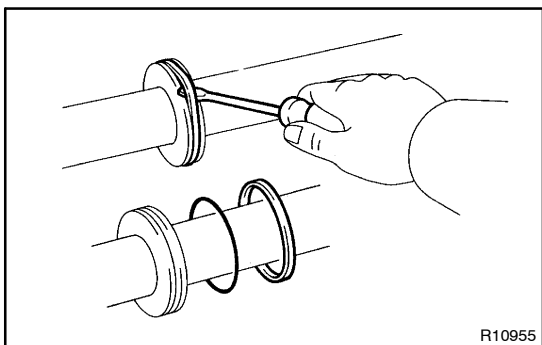
**5. IF NECESSARY, REPLACE BUSHING**

- (a) Using a screwdriver, remove the bushing from the cylinder end stopper.

NOTICE:

Be careful not to damage the cylinder end stopper.

- (b) Coat the inside of a new bushing with molybdenum disulfide lithium base grease.
- (c) Install the bushing.



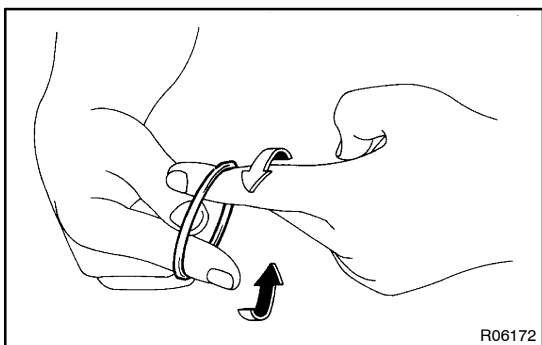
6. IF NECESSARY, REPLACE TEFLON RING AND O-RING

- (a) Using a screwdriver, remove the teflon ring and O-ring from the steering rack.

NOTICE:

Be careful not to damage the groove for the teflon ring.

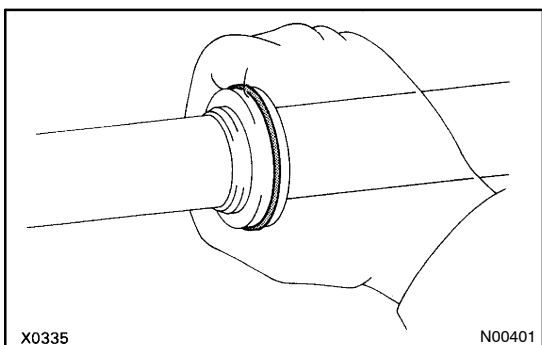
- (b) Coat a new O-ring with power steering fluid and install it to the steering rack.



- (c) Expand a new teflon ring with your fingers.

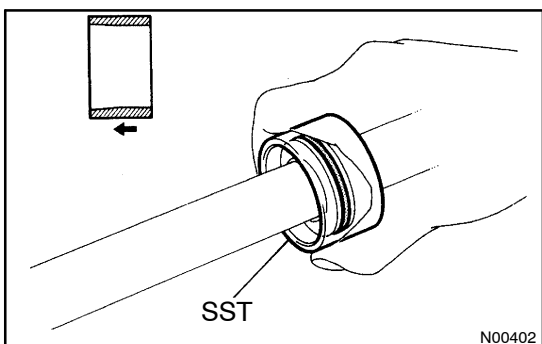
NOTICE:

Be careful not to overexpand the teflon ring.



- (d) Coat the teflon ring with power steering fluid.

- (e) Install the teflon ring to the steering rack and settle it down with your fingers.

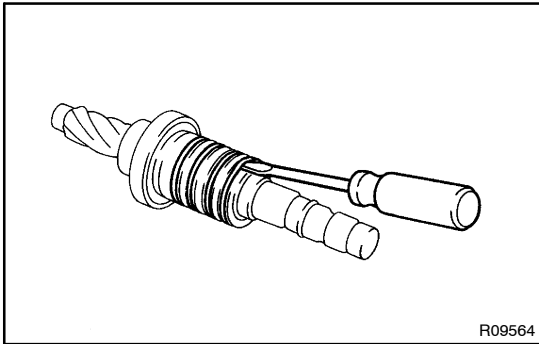


- (f) Carefully slide the tapered end of SST over the teflon ring until it fits to the steering rack.

SST 09630-24014 (09620-24051)

NOTICE:

Be careful not to damage the teflon ring.



7. IF NECESSARY, REPLACE 4 TEFLON RINGS

- (a) Using a screwdriver, remove the 4 teflon rings from the control valve assembly.

NOTICE:

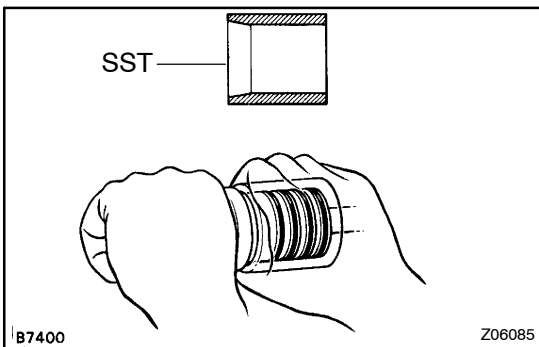
Be careful not to damage the grooves for the teflon ring.

- (b) Expand 4 new teflon rings with your fingers.

NOTICE:

Be careful not to overexpand the teflon ring.

- (c) Coat the teflon rings with power steering fluid.
 (d) Install the teflon rings to the control valve assembly, and settle them down with your fingers.



- (e) Carefully slide the tapered end of SST over the teflon rings until they fit to the control valve assembly.

SST 09631-20081

NOTICE:

Be careful not to damage the teflon rings.