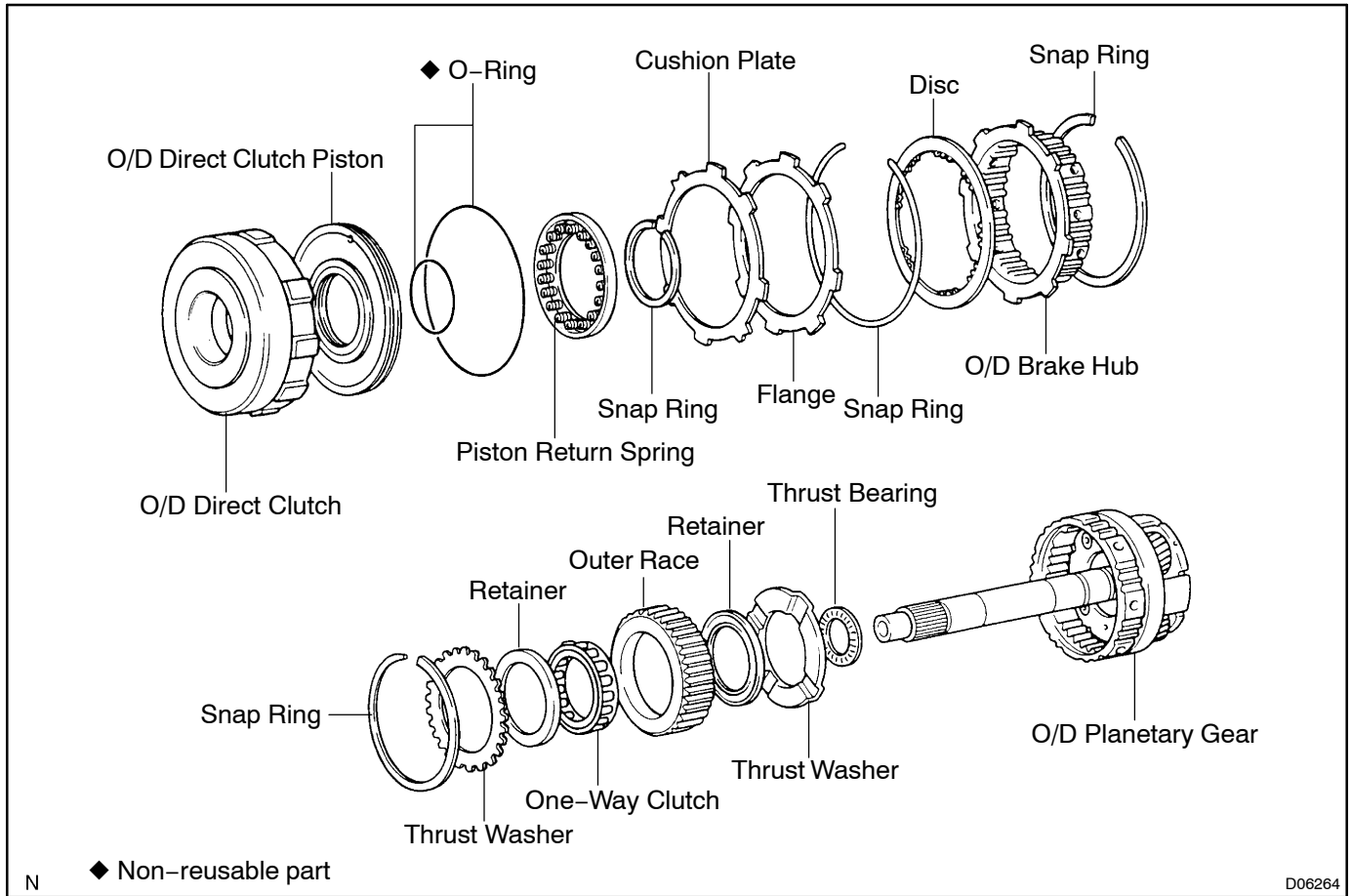


OVERDRIVE DIRECT CLUTCH COMPONENTS

AT01A-01



N

D06264