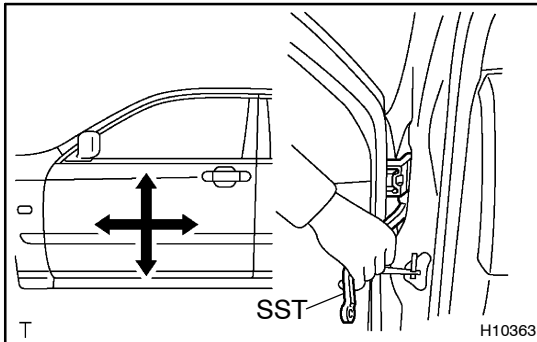


ADJUSTMENT

HINT:

Since the centering bolt is used as a door side hinge bolt, the door hinge cannot be adjusted with it on. Substitute the bolt with a washer for the centering bolt.

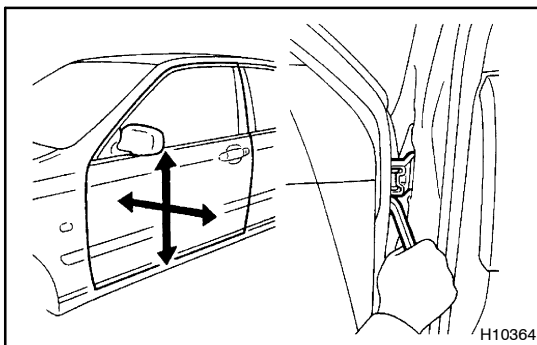


1. ADJUST FRONT DOOR IN FORWARD/REARWARD AND VERTICAL DIRECTIONS

Using SST, adjust the door by loosening the body side hinge bolts.

SST 09812-00010

Torque: 26 N·m (265 kgf·cm, 19 ft·lbf)



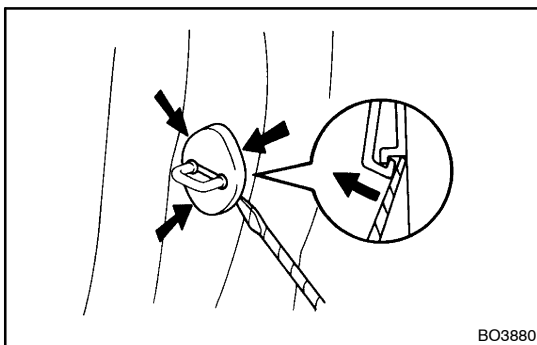
2. ADJUST FRONT DOOR IN LEFT/RIGHT AND VERTICAL DIRECTIONS

Adjust the door by loosening the door side hinge bolts.

Torque: 27 N·m (275 kgf·cm, 20 ft·lbf)

3. ADJUST FRONT DOOR LOCK STRIKER

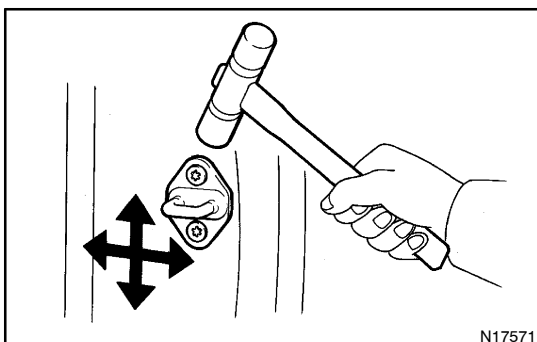
(a) Check that the door fit and door lock linkages are adjusted correctly.



(b) Using a screwdriver, remove the striker cover.

HINT:

Tape the screwdriver tip before use.



(c) Adjust the striker position by slightly loosening the striker mounting screws, and hitting the striker with a hammer.

(d) Tighten the striker mounting screws again.

Torque: 23 N·m (235 kgf·cm, 17 ft·lbf)

(e) Install the striker cover.