

SRS Warning Light Circuit Malfunction

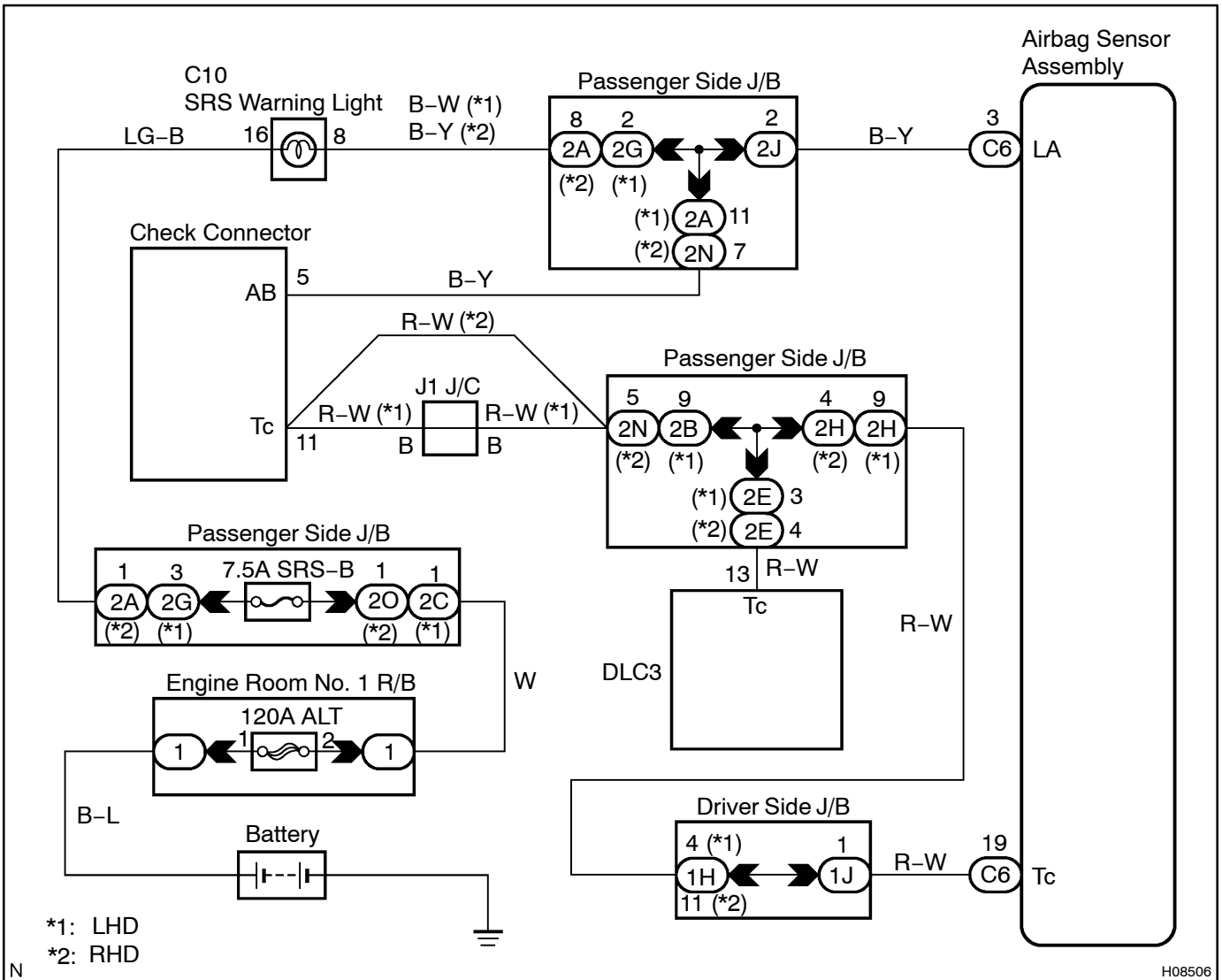
CIRCUIT DESCRIPTION

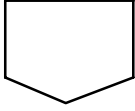
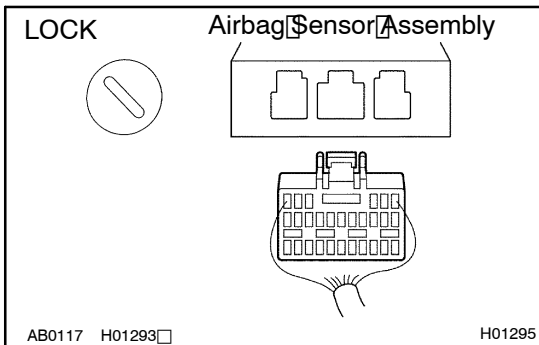
The SRS warning light is located on the combination meter.

When the SRS is normal, the SRS warning light lights up for approx. 6 seconds after the ignition switch is turned from the LOCK position to ON position, and then turns OFF automatically.

If there is a malfunction in the SRS, the SRS warning light lights up to inform the driver of the abnormality. When terminals Tc and CG of the DLC3 are connected, the DTC is displayed by blinking the SRS warning light.

WIRING DIAGRAM



INSPECTION PROCEDURE**Always lights up, when ignition switch is in LOCK position****1 Prepare for inspection (See step 1 on page DI-40).****2 Does SRS warning light turn OFF?****PREPARATION:**

- (a) Turn the ignition switch to LOCK.
- (b) Disconnect negative (-) terminal cable from the battery, and wait at least for 90 seconds.
- (c) Disconnect the airbag sensor assembly connector.
- (d) Connect negative (-) terminal cable to the battery.

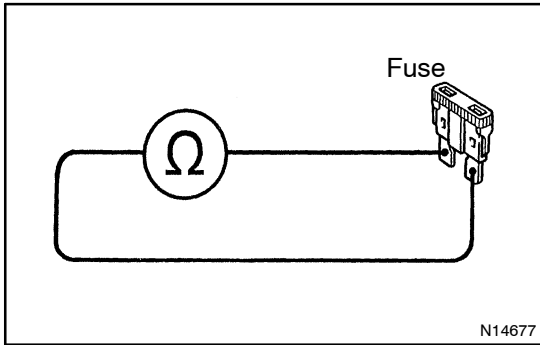
CHECK:

Check operation of the SRS warning light.

NO**Check SRS warning light circuit or terminal AB circuit of DLC3.****YES****Replace airbag sensor assembly.**

Does not light up, when ignition switch is turned to ON

1 Check SRS-B Fuse.



PREPARATION:

Remove SRS-B fuse.

CHECK:

Check continuity of SRS-B fuse.

OK:

Continuity

HINT:

- Fuse may be burnt out even if it appears to be OK during visual inspection.
- If fuse is OK, install it.

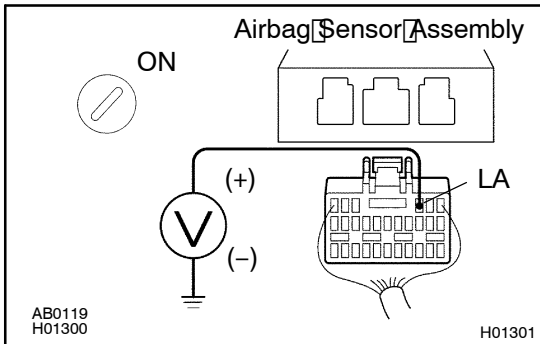
NG Go to step 5.

OK

2 Prepare for inspection (See step 1 on page DI-40).

OK

3 Check SRS warning light circuit.



PREPARATION:

(a) Connect negative (-) terminal cable to the battery.

(b) Turn the ignition switch to ON.

CHECK:

Measure the voltage LA terminal of the harness side connector of the airbag sensor assembly.

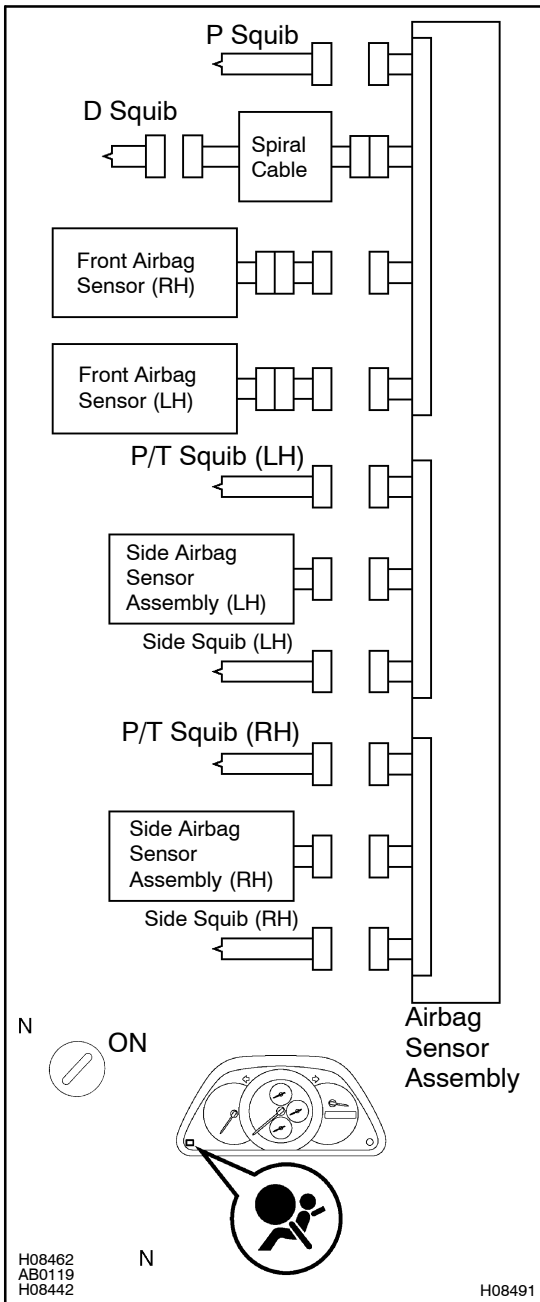
OK:

Voltage: 10 - 14 V

NG Check SRS warning light bulb or repair SRS warning light circuit.

OK

4 Does SRS warning light come on?



PREPARATION:

- Disconnect negative (-) terminal cable from the battery.
- Connect the airbag sensor assembly connectors.
- Connect negative (-) terminal cable to the battery, and wait at least for 2 seconds.
- Turn the ignition switch to ON.

CHECK:

Check operation of the SRS warning light.

NO

Check terminal LA of airbag sensor assembly. If normal, replace airbag sensor assembly.

YES

From the results of the above inspection, the malfunctioning part can now be considered normal. To make sure of this, use simulation method to check.

5 Is new SRS-B fuse burnt out again?

NO

Using simulation method, reproduce malfunction symptoms (See page N-21).

YES

Check harness between SRS-B fuse and SRS warning light.