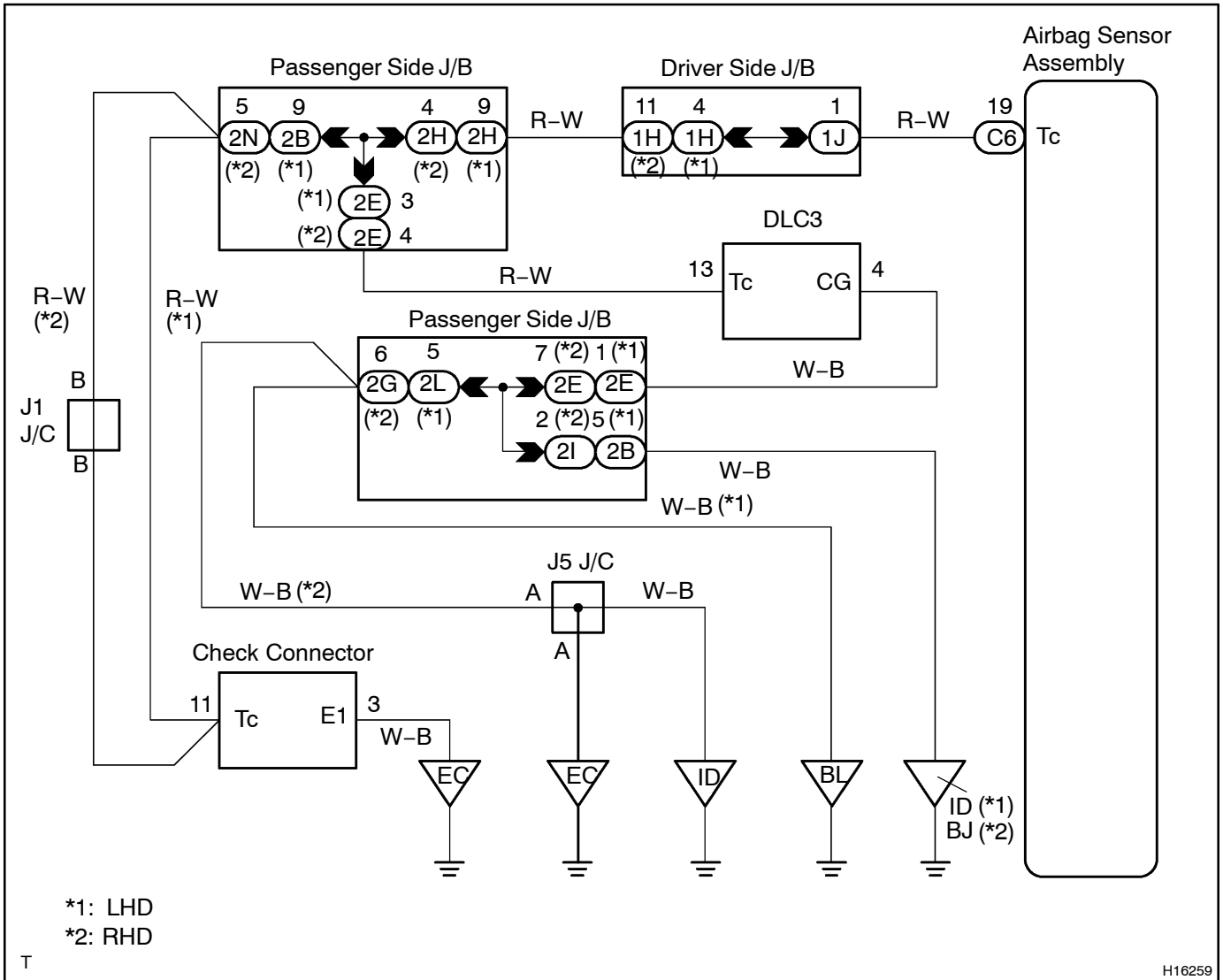


# Tc Terminal Circuit

## CIRCUIT DESCRIPTION

By connecting terminals Tc and CG of DLC3 the airbag sensor assembly is set in the DTC output mode. The DTCs are displayed by blinking the SRS warning light.

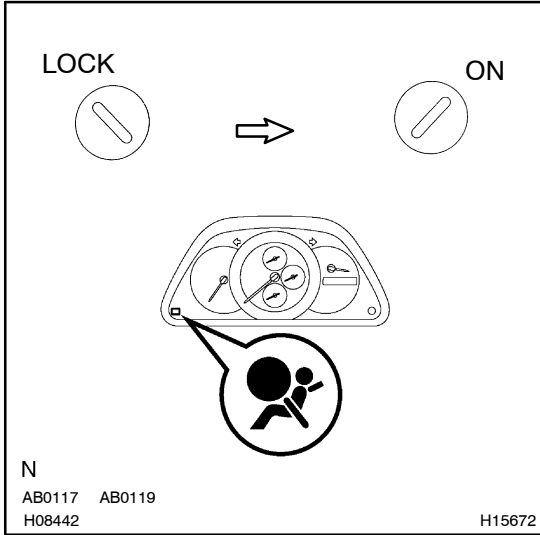
## WIRING DIAGRAM



**INSPECTION PROCEDURE**

If the DTC is not displayed, do the following troubleshooting.

**1 Does SRS warning light light up for approx. 6 seconds?**

**PREPARATION:**

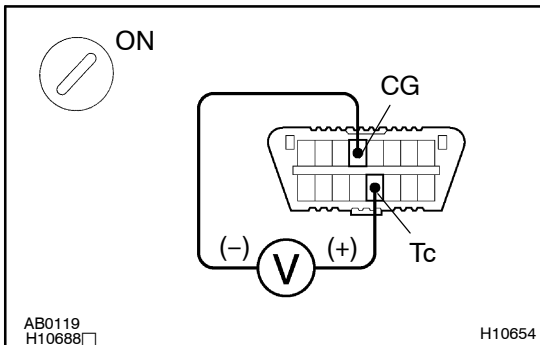
Check operation of the SRS warning light after the ignition switch is turned from LOCK position to ON position.

**NO**

Check SRS warning light system  
(See page DI-3)

**YES**

**2 Check voltage between terminals Tc and CG of DLC3.**

**PREPARATION:**

Turn the ignition switch to ON.

**CHECK:**

Measure the voltage between terminals Tc and CG of DLC3.

**OK:**

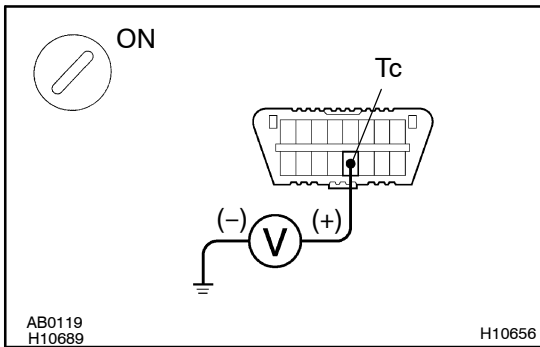
**Voltage: 10 - 14 V**

**OK**

Go to step 4.

**NG**

### 3 Check voltage between terminal Tc of DLC3 and body ground.

**CHECK:**

Measure the voltage between terminal Tc of DLC3 and body ground.

**OK:**

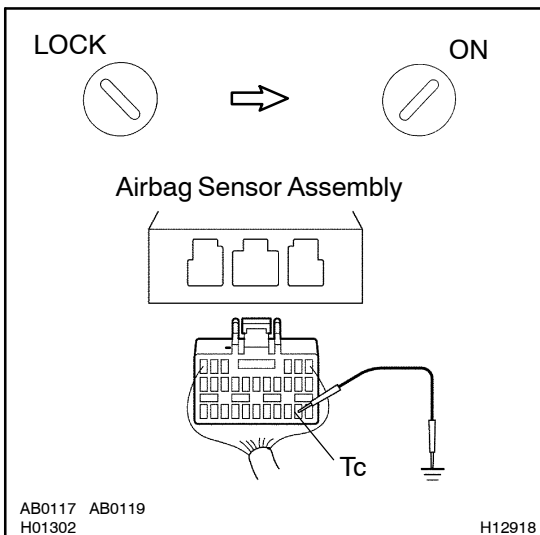
**Voltage: 10 - 14 V**

**OK**

**Check harness between terminal CG of check connector and body ground.**

**NG**

### 4 Check airbag sensor assembly.

**PREPARATION:**

- Turn the ignition switch to LOCK.
- Disconnect negative (-) terminal cable from the battery, and wait at least for 90 seconds.
- Disconnect the airbag sensor assembly connector.
- Insert a service wire into terminal Tc from back side as shown in the illustration.
- Connect the airbag sensor assembly connector with a service wire.
- Connect negative (-) terminal cable to the battery.
- Turn the ignition switch to ON and wait at least for 20 seconds.
- Connect a service wire of terminal Tc to body ground.

**CHECK:**

Check operation of the SRS warning light.

**OK:**

**SRS warning light comes on.**

**NOTICE:**

**Pay due attention to the terminal connecting position to avoid a malfunction.**

**OK**

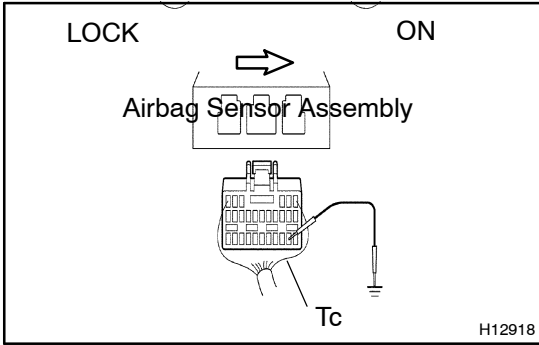
**Check harness between the airbag sensor assembly and check connector.**

**NG**

**Replace airbag sensor assembly.**

If the DTC is displayed without a DTC check procedure, perform the following troubleshooting.

**1 Check resistance between terminal Tc of airbag sensor assembly and body ground.**



**PREPARATION:**

- (a) Turn the ignition switch to LOCK.
- (b) Disconnect negative (-) terminal cable from the battery, and wait at least for 90 seconds.
- (c) Disconnect the airbag sensor assembly connector.

**CHECK:**

Check resistance between terminal Tc of the airbag sensor assembly connector and body ground.

**OK:**

**Resistance: 1 MΩ or Higher**

**NG**

**Repair or replace harness or connector.**

**OK**

**Replace airbag sensor assembly.**