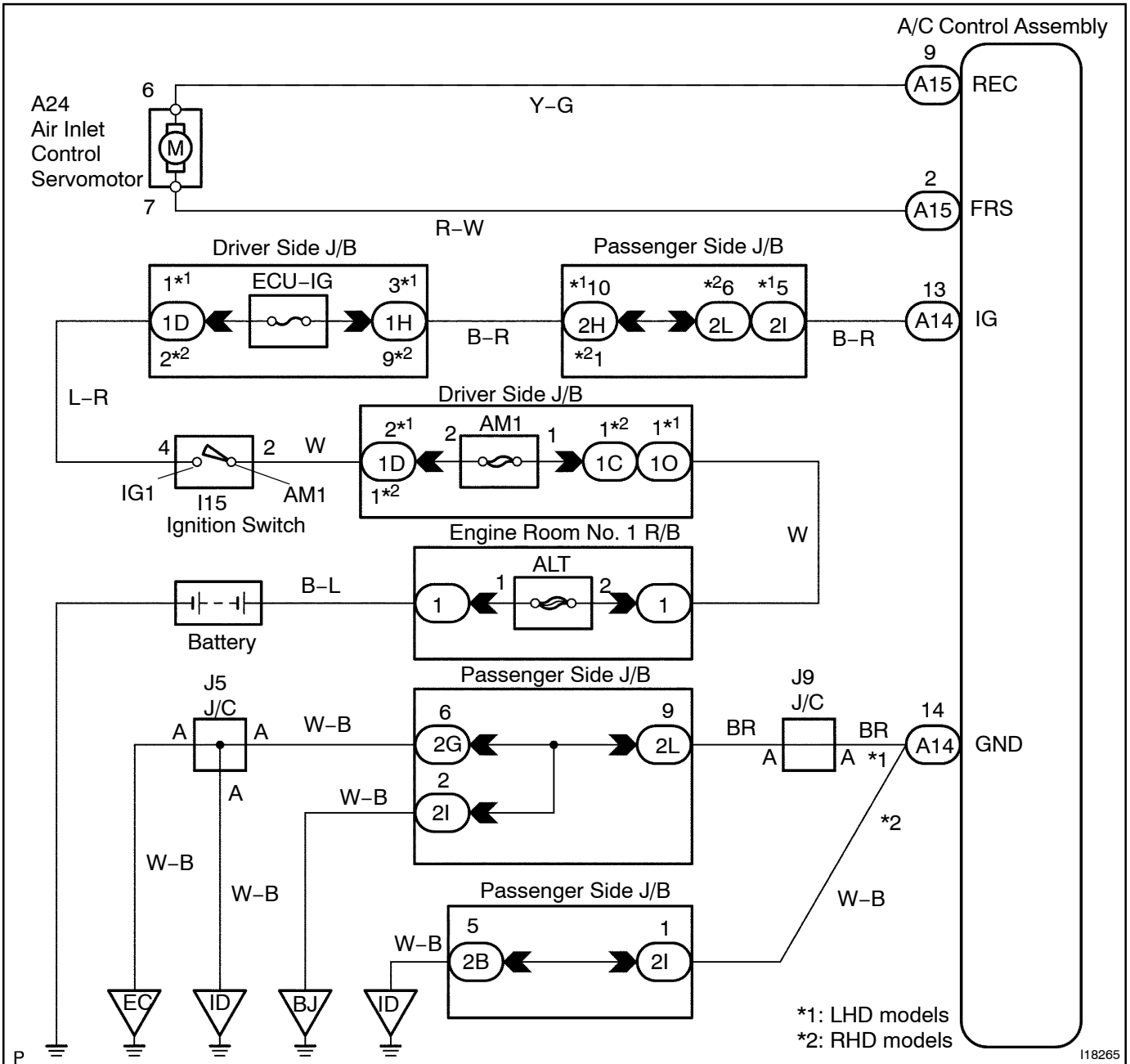


Air Inlet Damper Control Servomotor Circuit

CIRCUIT DESCRIPTION

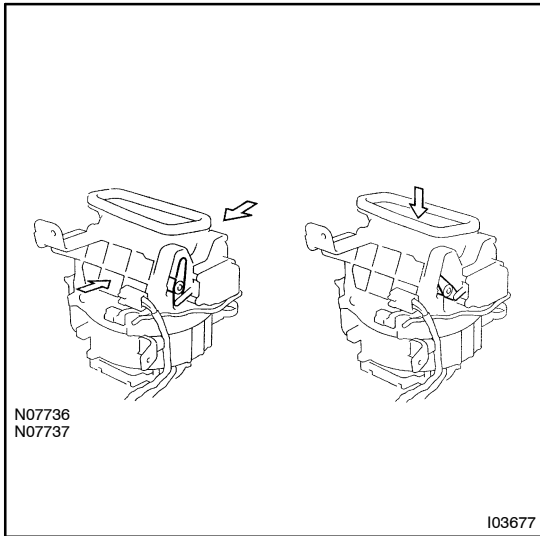
The air inlet damper control servomotor is controlled by the A/C control assembly and moves the air inlet damper to the desired position.

WIRING DIAGRAM



INSPECTION PROCEDURE

1 Actuator check.



PREPARATION:

Connect the hand-held tester to the DLC3.

CHECK:

- (a) Enter into ACTIVE TEST function of hand-held tester.
- (b) Check air inlet damper operates as hand-held tester directs.

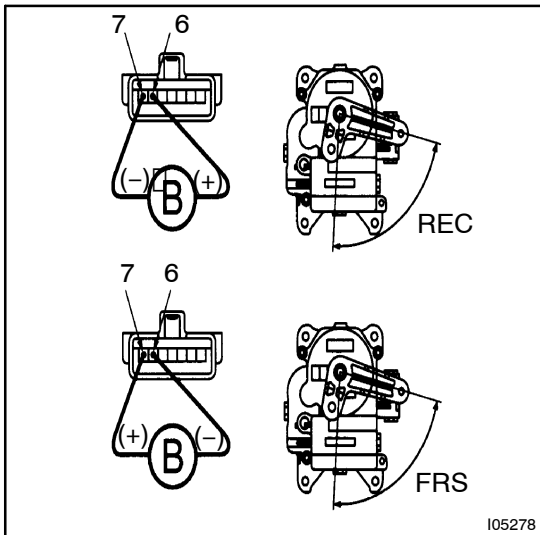
OK:

Display Code	Air Inlet Damper
0	FRS
1, 2	REC/FRS
3 - 9	REC

OK Proceed to next circuit inspection shown on problem symptoms table (See page DI-59).

NG

2 Check air inlet damper control servomotor.



PREPARATION:

Remove the air inlet damper control servomotor.

CHECK:

Connect positive (+) lead to terminal 6 and negative (-) lead to terminal 7.

OK:

The lever moves smoothly to REC position.

CHECK:

Connect positive (+) lead to terminal 7 and negative (-) lead to terminal 6.

OK:

The lever moves smoothly to FRS position.

NG Replace air inlet damper control servomotor assembly.

OK

3 Check harness and connector between A/C control assembly and air inlet damper control servomotor (See page IN-31).

NG

Repair or replace harness or connector.

OK

Check and replace A/C control assembly.