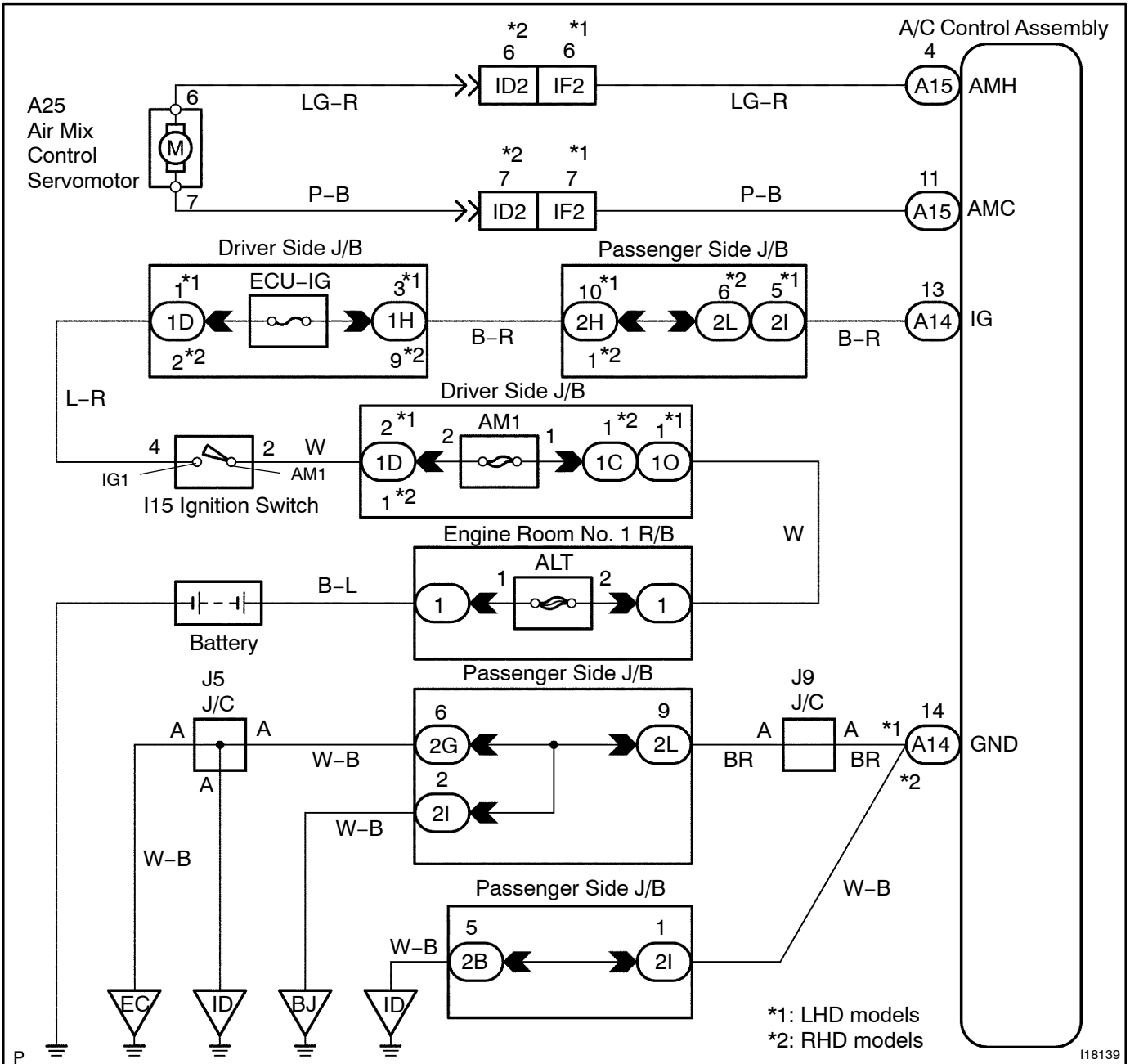


Air Mix Damper Control Servomotor Circuit

CIRCUIT DESCRIPTION

The air mix damper control servomotor is controlled by the A/C control assembly and moves the air mix damper to the desired position.

WIRING DIAGRAM



I18139

INSPECTION PROCEDURE

1 Actuator check.

PREPARATION:

Connect the hand-held tester to the DLC3.

CHECK:

- (a) Enter into ACTIVE TEST function of hand-held tester.
- (b) Check air mix damper operates as hand-held tester directs.

OK:

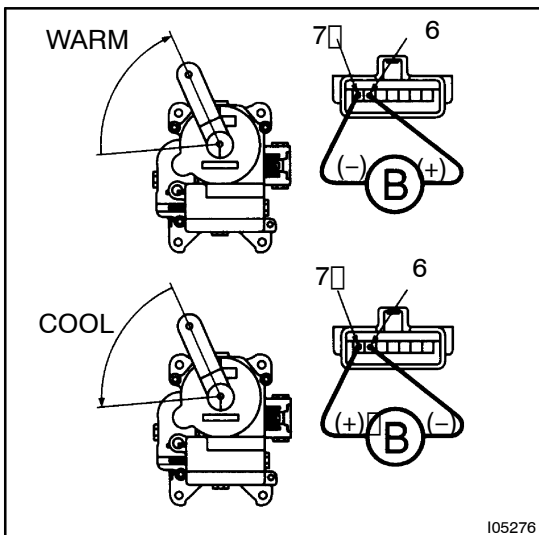
Pattern No.	Air Mix Damper	Condition
0 - 3	0% (Fully closed)	Cool air comes out
4 - 5	50%	
6 - 9	100% (Fully opened)	Warm air comes out

OK

Proceed to next circuit inspection shown on problem symptoms table (See page DI-59).

NG

2 Check air mix damper control servomotor.

**PREPARATION:**

Remove air mix damper control servomotor.

CHECK:

Connect positive (+) lead to terminal 6 and negative (-) lead to terminal 7.

OK:

The lever turns smoothly to Hot side.

CHECK:

Connect positive (+) lead to terminal 7 and negative (-) lead to terminal 6.

OK:

The lever turns smoothly to Cool side.

NG

Replace air mix damper control servomotor assembly.

OK

3 Check harness and connector between A/C control assembly and air mix damper control servomotor assembly (See page IN-31).

NG

Repair or replace harness or connector.

OK

Check and replace A/C control assembly.