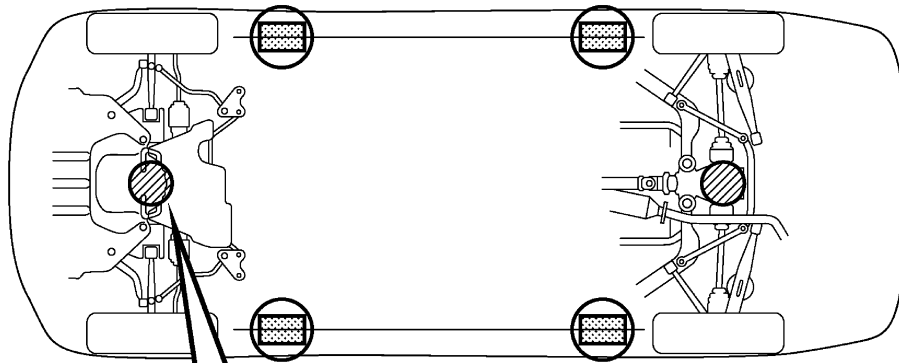


VEHICLE LIFT AND SUPPORT LOCATIONS

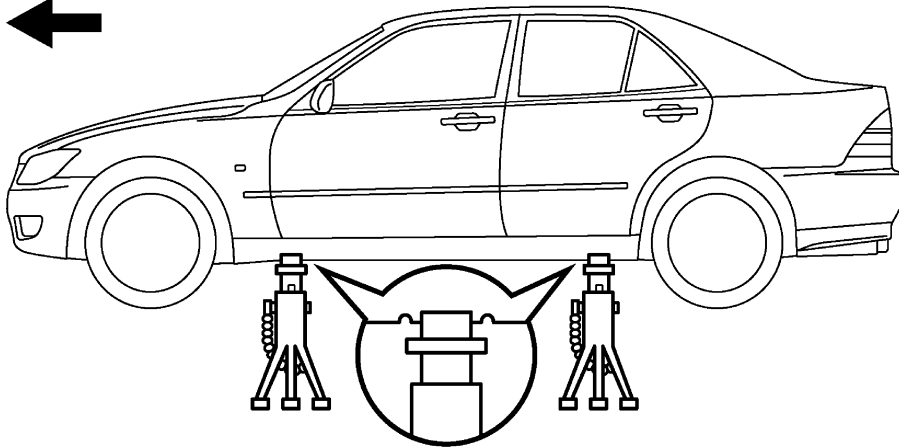


Front Suspension Member

Engine Under Cover No. 2

NOTICE:
Never place the engine under cover No. 2 on the garage jack.

Front ←



JACK POSITION _____

Front - - - - - Front suspension member

Rear - - - - - Differential carrier



CAUTION: When jacking-up the front and rear, make sure the vehicle is not carrying any extra weight.

PANTOGRAPH JACK POSITION _____

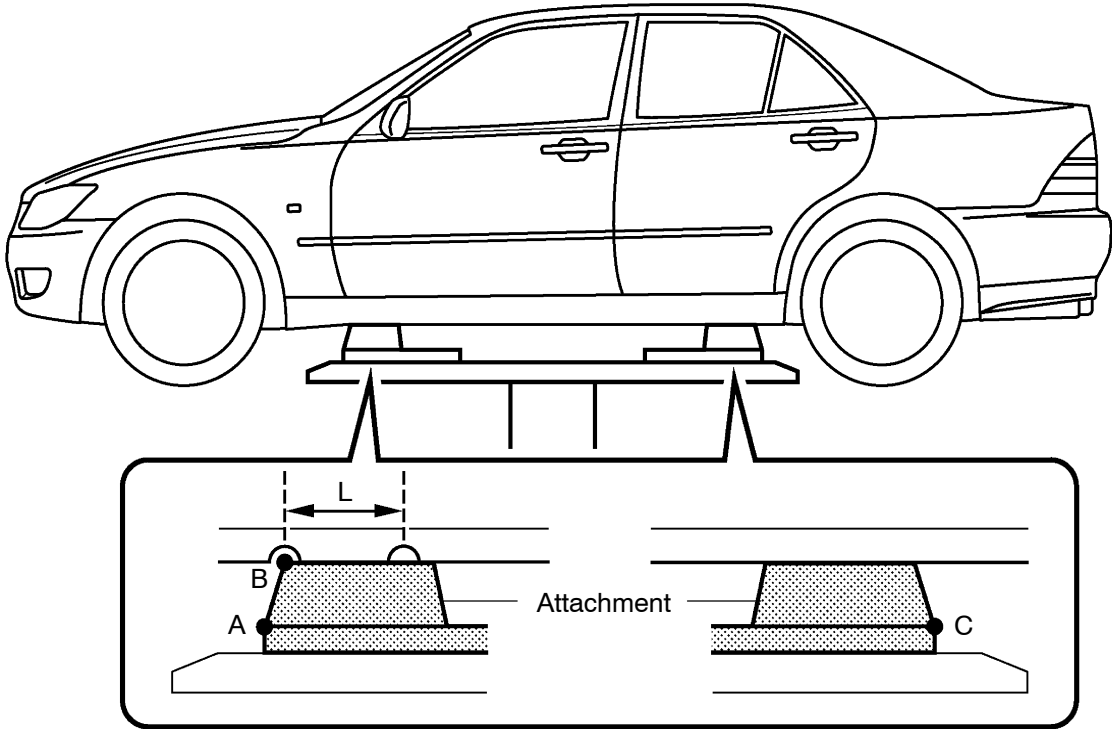


SUPPORT POSITION

Safety stand and swing arm type lift - - - - -



Plate Type Lift



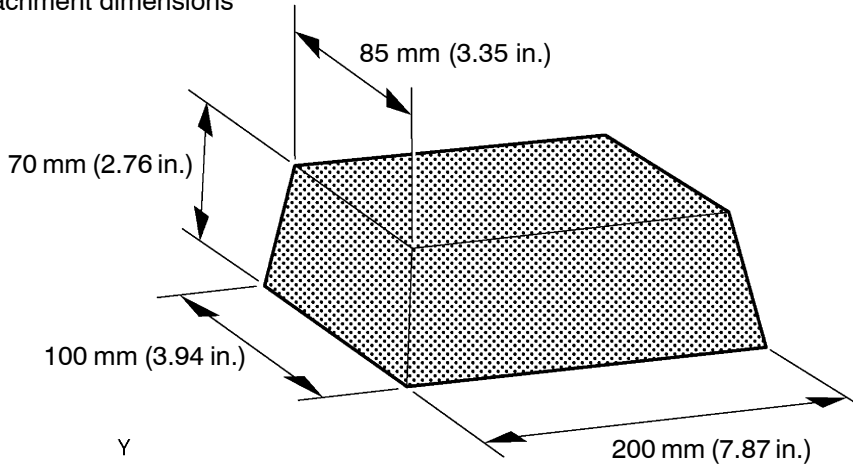
HINT:

- | | |
|-----------------------------|---|
| Right and left set position | Place the vehicle over the center of the lift. |
| Front and rear set position | <ul style="list-style-type: none"> • When using attachments, place the one for front side vertically and the one for rear side horizontally to the vehicle. • Align the cushion gum ends of the plate with the attachment lower ends (A, C). • Align the attachment upper end (B) with the rocker flange front side notch. |

NOTICE:

Check the interference of the attachment with the front floor cover when placing the attachment on the plate.

Attachment dimensions



I11884
B11105

B15227