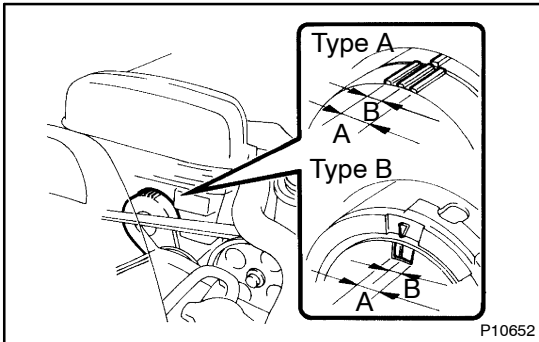


DRIVE BELT (2JZ-GE) ON-VEHICLE INSPECTION

AC3LB-01

1. INSPECT DRIVE BELT'S INSTALLATION CONDITION

Check that the drive belt fits properly in the ribbed grooves.



2. INSPECT DRIVE BELT TENSION

Check that the arrow mark on the belt tensioner falls within area "A" of the scale.

If it is out side area "A", replace the drive belt.

HINT:

When a new belt is installed, it should be lie within area B.