

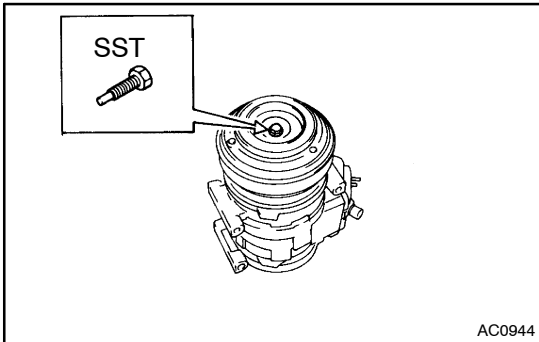
DISASSEMBLY

DISASSEMBLE MAGNETIC CLUTCH

(a) Remove the pressure plate.

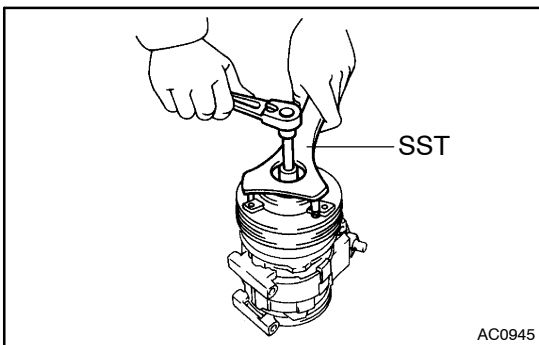
(1) Using SST and a socket wrench, remove the shaft bolt.

SST 07112-76060



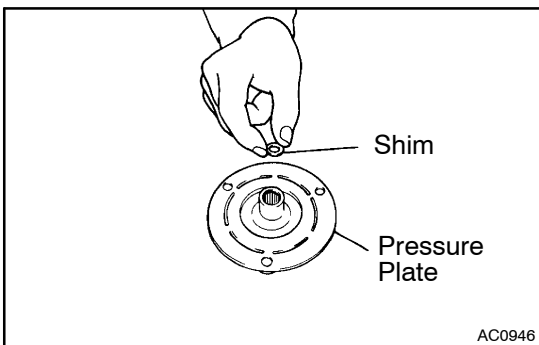
(2) Install SST on the pressure plate.

SST 07112-66040

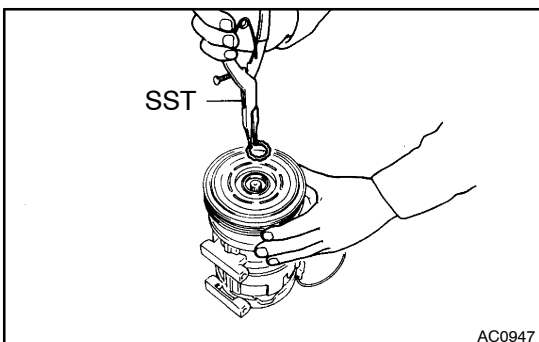


(3) Using SST and a socket wrench, remove the pressure plate.

SST 07112-66040, 07112-76060

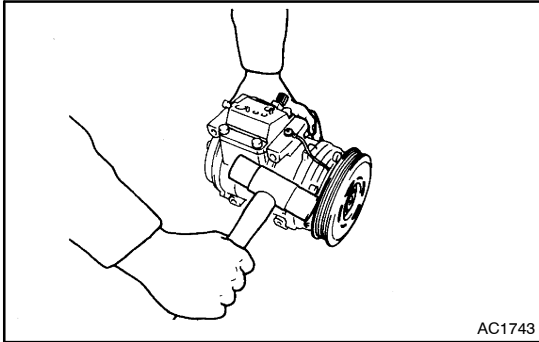


(4) Remove the shims from the pressure plate.



(b) Remove the rotor.

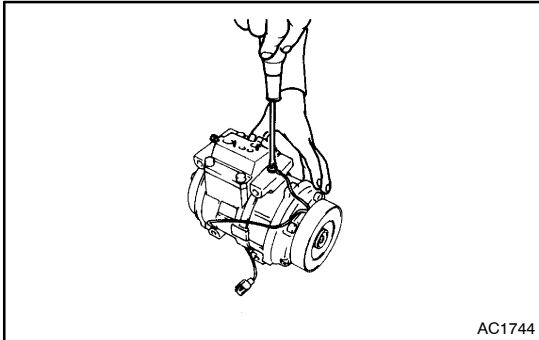
(1) Remove the snap ring.



(2) Using a plastic hammer, tap the rotor off the shaft.

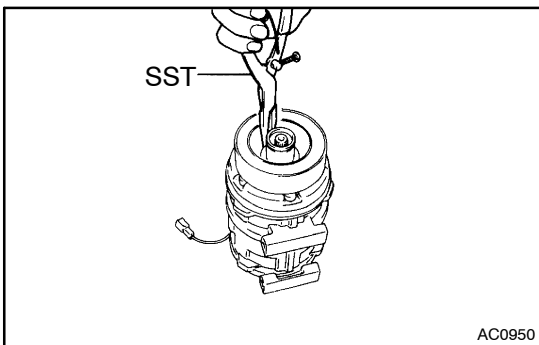
NOTICE:

Be careful not to damage the pulley when tapping on the rotor.

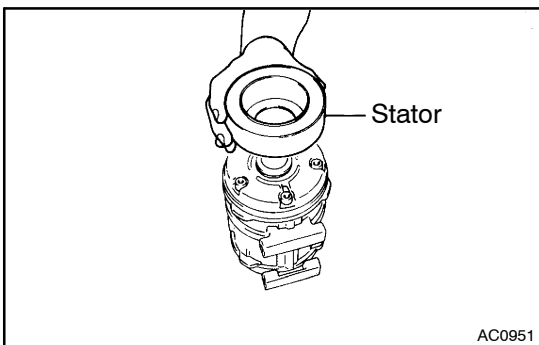


(c) Remove the stator.

(1) Disconnect the stator lead wire from the compressor.



(2) Remove the snap ring.



(3) Remove the stator.