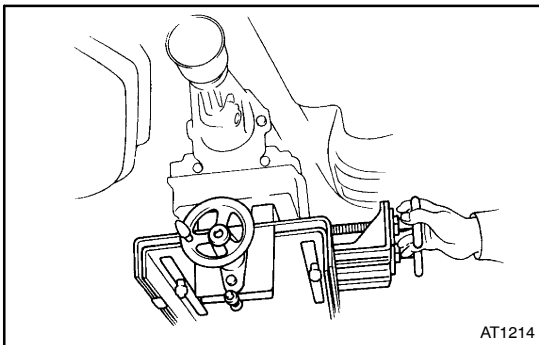


SENSOR ROTOR ON-VEHICLE REPAIR

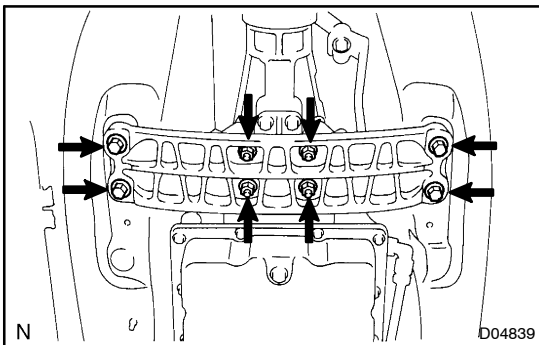
AT0HF-03

1. POSITION PAN TO CATCH ANY FLUID THAT MAY DRIP
2. REMOVE NO. 1 AND NO. 2 ENGINE UNDER COVERS
3. REMOVE LH FRONT FLOOR CENTER COVER
4. REMOVE NO. 1 REAR FLOOR BOARD
5. REMOVE EXHAUST PIPE (See page EM-99)
6. REMOVE PROPELLER SHAFT (See page PR-4)
7. REMOVE VEHICLE SPEED SENSOR (See page AT-7)



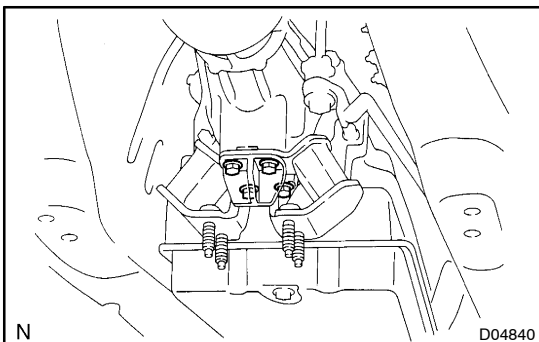
8. JACK UP TRANSMISSION SLIGHTLY

Securely support the transmission on a transmission jack. Lift the transmission slightly from the rear support member.



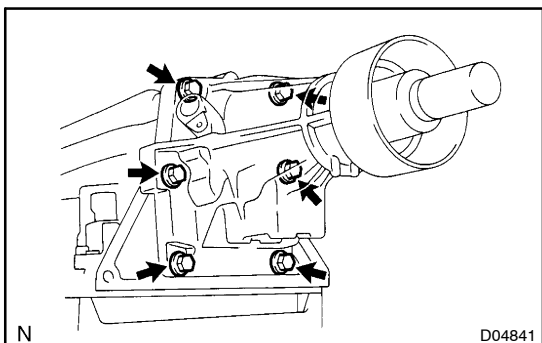
9. REMOVE ENGINE REAR SUPPORT MEMBER

- (a) Remove the 4 bolts.
- (b) Remove the 4 nuts and rear support member.



10. REMOVE TRANSMISSION MOUNTING BRACKET

Remove the 4 bolts and the transmission mounting bracket from the transmission.

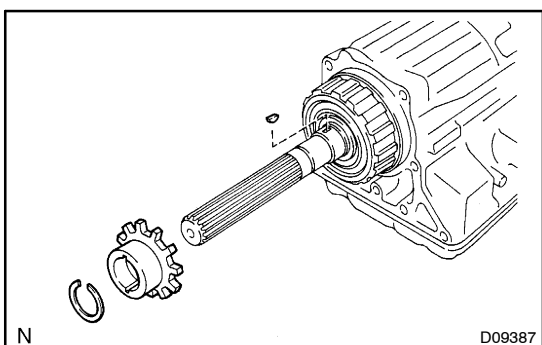
**11. REMOVE EXTENSION HOUSING**

- (a) Remove the 6 bolts.
- (b) Remove the extension housing.

HINT:

If necessary, tap the extension housing with a plastic hammer.

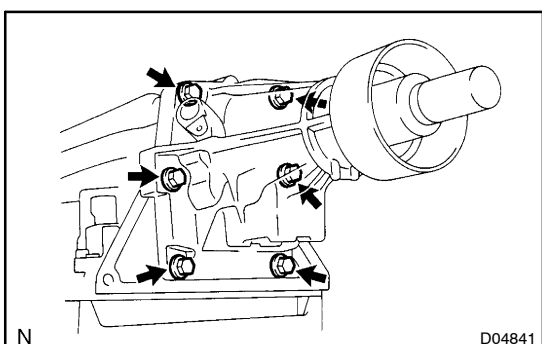
- (c) Remove the extension housing gasket.

**12. REMOVE SENSOR ROTOR AND KEY**

- (a) Using a snap ring expander, remove the snap ring.
- (b) Remove the sensor rotor and key.

13. INSTALL KEY AND SENSOR ROTOR

- (a) Install the key and sensor rotor.
- (b) Using a snap ring expander, install a new snap ring.

**14. INSTALL EXTENSION HOUSING**

- (a) Install a new extension housing gasket.
- (b) Install the extension housing with the 6 bolts.

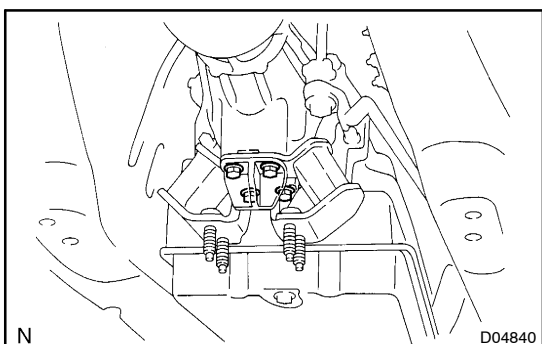
Torque: 34 N·m (345 kgf·cm, 25 ft·lbf)

HINT:

Coat the thread of the all bolts with sealant.

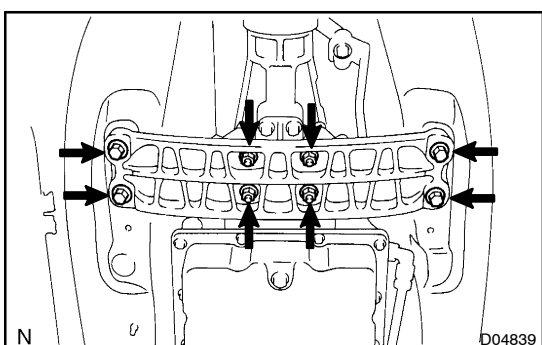
Sealant:

Part No. 08833-00080, THREE BOND 1344, LOCTITE 242 or equivalent

**15. INSTALL TRANSMISSION MOUNTING BRACKET**

Install the transmission mounting bracket with the 4 bolts to the transmission.

Torque: 12 N·m (120 kgf·cm, 9 ft·lbf)

**16. INSTALL ENGINE REAR SUPPORT MEMBER**

- (a) Install the 4 nuts.
Torque: 12 N·m (120 kgf·cm, 9 ft·lbf)
- (b) Install the rear support member with the 4 bolts.
Torque: 25 N·m (260 kgf·cm, 19 ft·lbf)

17. REMOVE JACK**18. INSTALL VEHICLE SPEED SENSOR (See page AT-7)****19. INSTALL PROPELLER SHAFT (See page PR-9)**

20. INSTALL EXHAUST PIPE (See page EM-99)
21. FILL ATF AND CHECK FLUID LEVEL
(See page DI-170)
22. INSTALL NO. 1 REAR FLOOR BOARD
23. INSTALL LH FRONT FLOOR CENTER COVER
24. INSTALL NO. 1 AND NO. 2 ENGINE UNDER COVERS