

ATF TEMPERATURE SENSOR ON-VEHICLE REPAIR

ATOZY-01

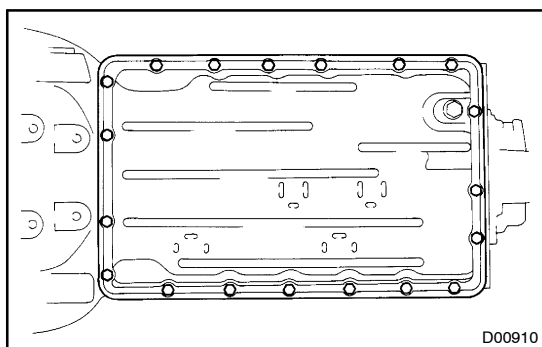
CAUTION:

When working with FIPG material, you must observe the following items.

- Using a razor blade and gasket scraper, remove all the old FIPG material from the gasket surfaces.
- Thoroughly clean all components to remove all the loose material.
- Clean both sealing surfaces with a non-residue solvent.
- Apply FIPG in an approx. 1 mm (0.04 in.) wide bead along the sealing surface.
- Parts must be assembled within 10 minutes of application. Otherwise, the FIPG material must be removed and reapplied.

1. REMOVE NO. 1 AND NO. 2 ENGINE UNDER COVERS
2. REMOVE LH FRONT FLOOR CENTER COVER
3. REMOVE NO. 1 REAR FLOOR BOARD
4. DRAIN ATF
 - (a) Remove the drain plug, gasket and drain ATF.
 - (b) Install a new gasket and drain plug.

Torque: 20 N·m (205 kgf·cm, 15 ft·lbf)

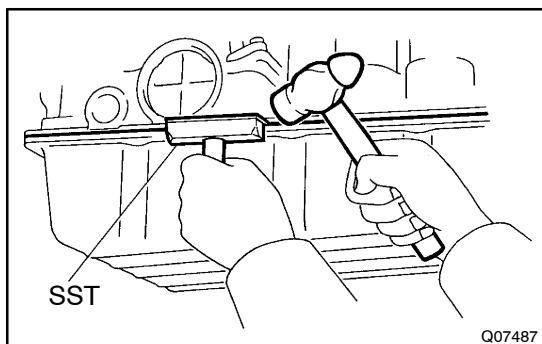


5. REMOVE OIL PAN

NOTICE:

Some fluid will remain in the oil pan.

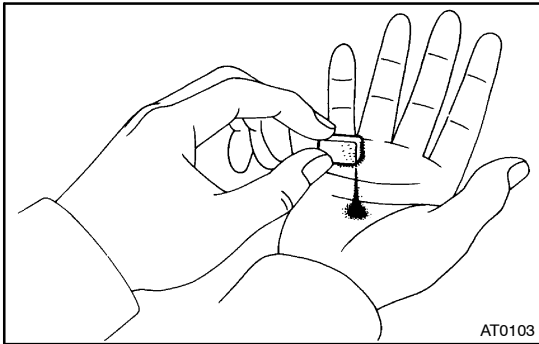
- (a) Remove the 19 bolts.



- (b) Install the blade of SST between the transmission case and oil pan, cut off applied sealer, and remove the oil pan.
SST 09032-00100

NOTICE:

When removing the oil pan, be careful not to damage the oil pan flange.



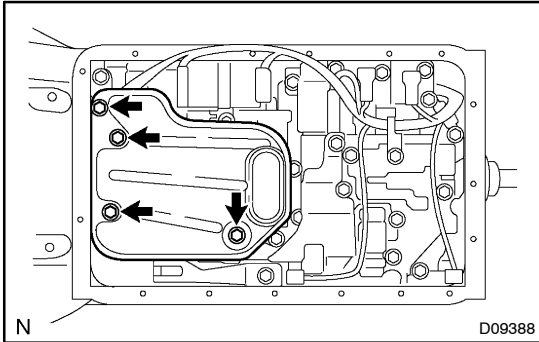
AT0103

6. EXAMINE PARTICLES IN PAN

Remove the magnets and use them to collect steel particles. Carefully look at the foreign matter and particles in the pan and on the magnets to anticipate the type of wear you will find in the transmission.

Steel (magnetic) ... bearing, gear and clutch plate wear

Brass (non-magnetic) ... bushing wear



D09388

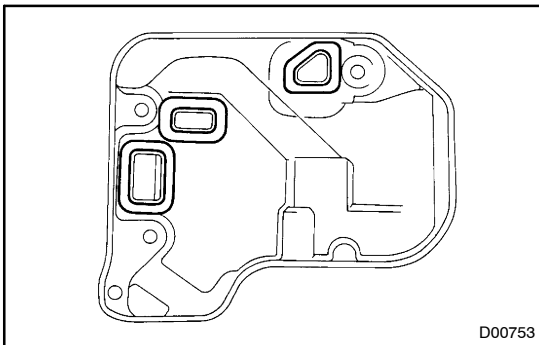
7. REMOVE OIL STRAINER

NOTICE:

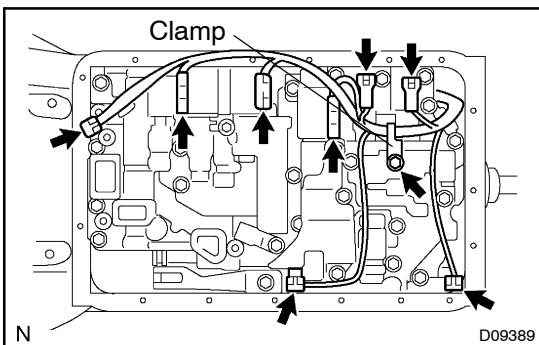
Be careful as some fluid will come out of the oil strainer.

(a) Remove the 4 bolts and oil strainer.

(b) Remove the 3 gaskets from the oil strainer.



D00753



D09389

8. REMOVE SOLENOID WIRE WITH ATF TEMPERATURE SENSOR

(a) Disconnect the ATF temperature sensor.

(b) Remove the bolt and clamp.

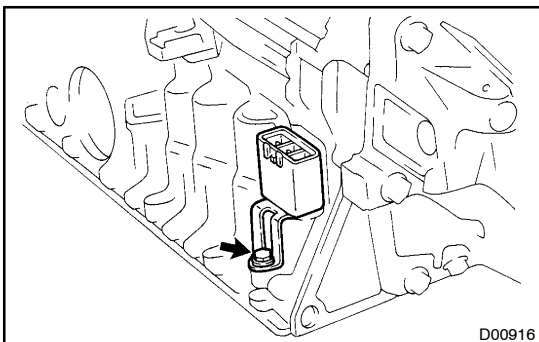
(c) Disconnect the 7 connectors from the solenoid valves.

(d) Remove the bolt, solenoid connector and O-ring.

9. INSTALL SOLENOID WIRE WITH ATF TEMPERATURE SENSOR

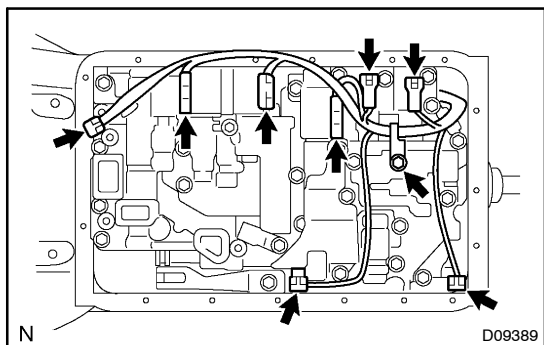
(a) Install the solenoid connector with the bolt.

Torque: 5.4 N·m (55 kgf·cm, 48 in·lbf)

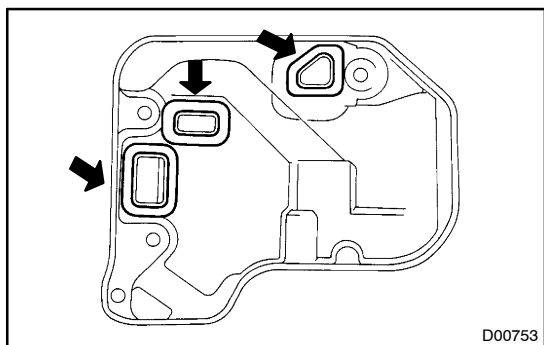


D00916

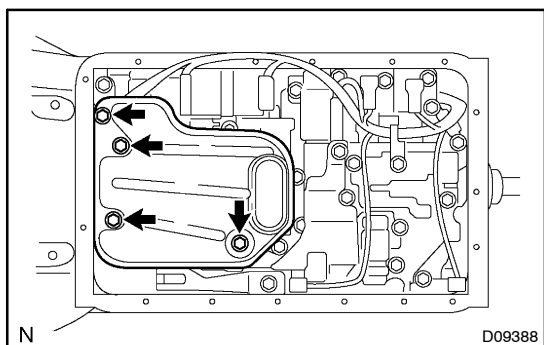
AUTOMATIC TRANSMISSION (A650E) - ATF TEMPERATURE SENSOR



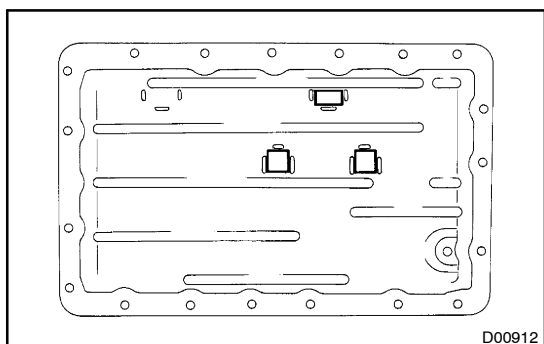
- (b) Connect the 7 connectors to the solenoid valves.
- (c) Install the clamp with the bolt.
Torque: 6.4 N·m (65 kgf·cm, 56 in·lbf)
- (d) Connect the ATF temperature sensor.

**10. INSTALL OIL STRAINER**

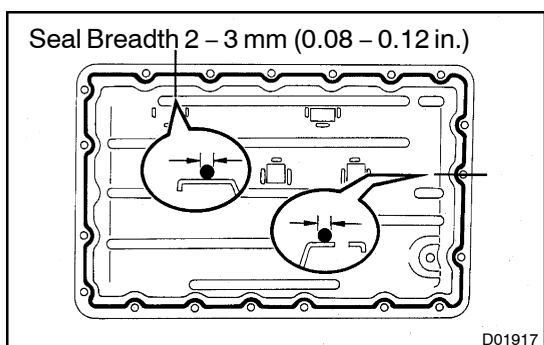
- (a) Install the 3 new gaskets.



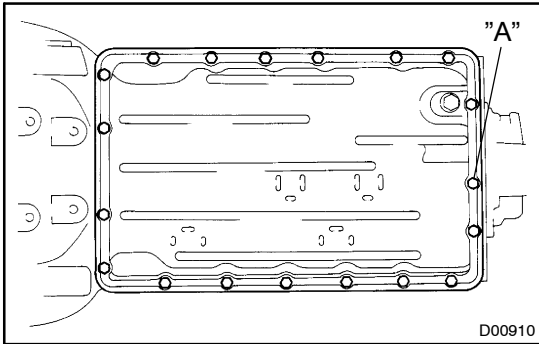
- (b) Install the oil strainer with the 4 bolts.
Torque: 10 N·m (100 kgf·cm, 7 ft·lbf)

**11. INSTALL OIL PAN**

- (a) Install the 3 magnets in the indications of the oil pan.



- (b) Remove any packing material and be careful not to drop oil on the contacting surfaces of the transmission case and oil pan.
- (c) Apply FIPG to the oil pan.
FIPG:
Part No. 08826-00090, THREE BOND 1281 or equivalent



(d) Install the oil pan with the 19 bolts.

Torque: 7.4 N·m (75 kgf·cm, 65 in·lbf)

HINT:

Replace the only "A" bolt with a new one.

12. FILL FLUID AND CHECK FLUID ([See page DI-170](#))
13. INSTALL NO. 1 REAR FLOOR BOARD
14. INSTALL LH FRONT FLOOR CENTER COVER
15. INSTALL NO. 1 AND NO. 2 ENGINE UNDER COVERS