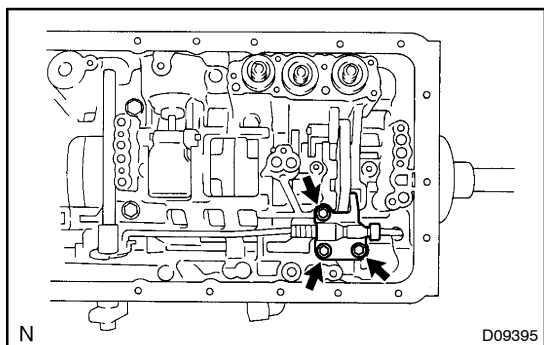


## PARKING LOCK PAWL ON-VEHICLE REPAIR

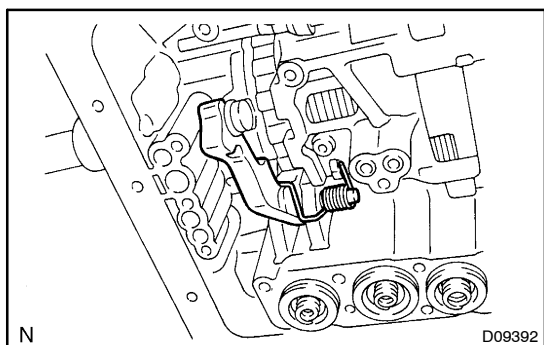
AT0HL-07

1. REMOVE NO. 1 AND NO. 2 ENGINE UNDER COVERS
2. REMOVE LH FRONT FLOOR CENTER COVER
3. REMOVE NO. 1 REAR FLOOR BOARD
4. REMOVE VALVE BODY (See page AT-14)



### 5. REMOVE PARKING LOCK PAWL BRACKET

Remove the 3 bolts and parking lock pawl bracket.



6. REMOVE SPRING FROM PARKING LOCK PAWL SHAFT
7. REMOVE PARKING LOCK PAWL SHAFT AND PARKING LOCK PAWL
8. INSTALL PARKING LOCK PAWL AND PARKING LOCK PAWL SHAFT
9. INSTALL SPRING TO PARKING LOCK PAWL SHAFT
10. INSTALL PARKING LOCK PAWL BRACKET

Install the parking lock pawl bracket with the 3 bolts.

**Torque: 7.4 N·m (75 kgf·cm, 65 in·lbf)**

#### HINT:

- Push the lock rod fully forward.
- Check that the parking lock pawl operates smoothly.

11. INSTALL VALVE BODY (See page AT-14)
12. INSTALL NO. 1 REAR FLOOR BOARD
13. INSTALL LH FRONT FLOOR CENTER COVER
14. INSTALL NO. 1 AND NO. 2 ENGINE UNDER COVERS