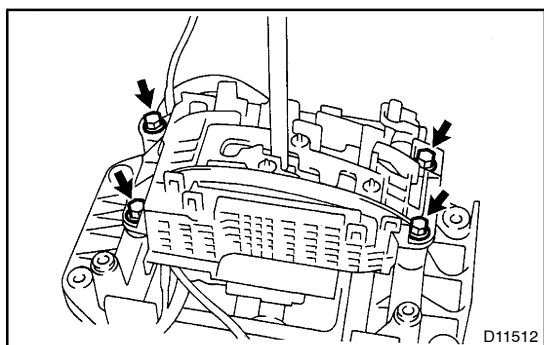
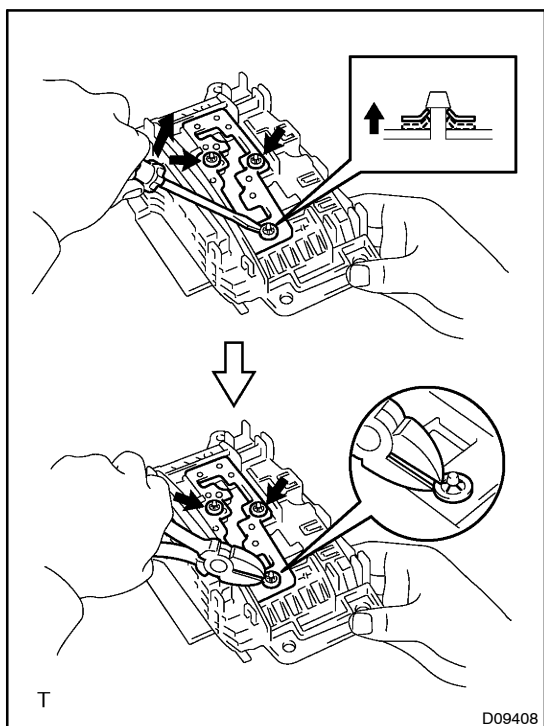


DISASSEMBLY

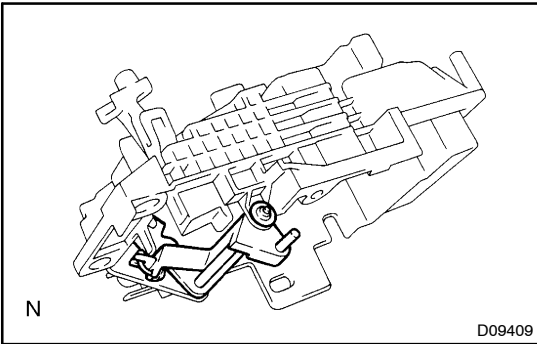
1. **REMOVE SHIFT LEVER KNOB**
2. **REMOVE POSITION INDICATOR HOUSING**
 - (a) Disconnect the pattern select switch connector.
 - (b) Remove the position indicator housing assembly.
 - (c) Remove the pattern select switch from the position indicator housing assembly.
3. **REMOVE POSITION INDICATOR LIGHT GUIDE**
 - (a) Disconnect the indicator light wire from the position indicator light guide.
 - (b) Remove the position indicator light guide.
4. **REMOVE SLIDE COVER AND NO. 2 SLIDE COVER**
5. **REMOVE SHIFT LEVER GUIDE HOUSING**
 - (a) Disconnect the shift lock control ECU connector and indicator light wire from the shift lever plate.
 - (b) Remove the 2 E-shift main switches and shift lock control switch from the shift lever guide housing.



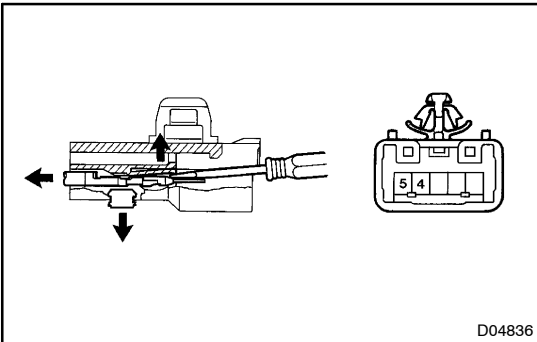
- (c) Remove the 4 bolts, nuts and shift lever guide housing assembly.
- (d) Remove the bulb and cap and from the indicator light wire.



6. **DISASSEMBLE SHIFT LEVER GUIDE HOUSING**
 - (a) Using a screwdriver, pry and push up 3 shift lever nuts.
 - (b) Using nippers, cut the 3 shift lever nuts off then.
- HINT:
Remove the shift lever lock pin of shift lever nut in the same way.
- (c) Remove the shift lever guide cushion.
 - (d) Remove the 3 screws, shift lock control ECU and shift lock solenoid.
 - (e) Remove the shift lock control ECU bracket and shift lever anti-rattle cushion from the shift lock control ECU.
 - (f) Disconnect the E-shift main switch connector from the shift lever guide housing.
 - (g) Remove the shift lock release button and spring.



- (h) Remove the shift lever lock pin, shift lock plate stopper and cushion.

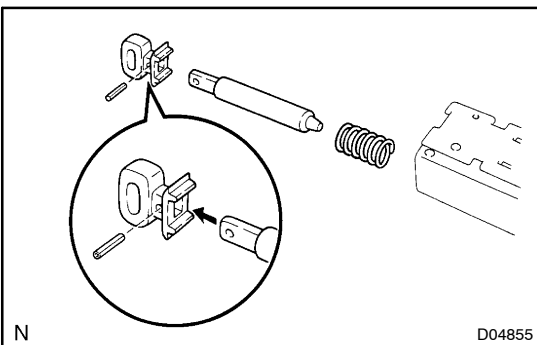


7. DISCONNECT SHIFT LOCK CONTROL ECU, SHIFT LOCK SOLENOID, SHIFT LOCK CONTROL SWITCH AND E-SHIFT MAIN SWITCH

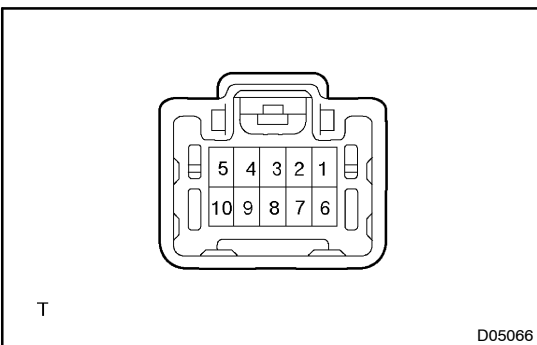
- (a) Disengage the secondary locking device of shift lock solenoid.
 (b) Release the locking lug of the terminals 4 and 5, and pull the terminals out from the rear.

HINT:

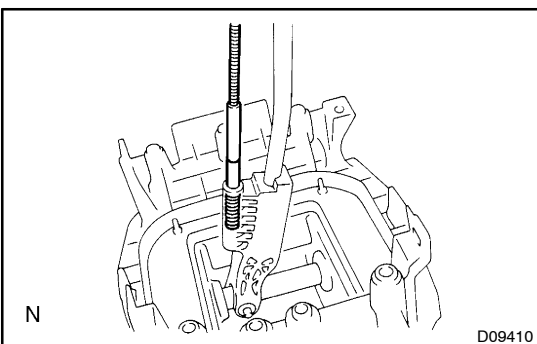
Remove the E-shift main switch in the same way.



- (c) Remove the shift lock solenoid.
 (d) Using 2 mm dia. steel wire, remove the pin the remove the shift lock solenoid link from the shift lock solenoid plunger.

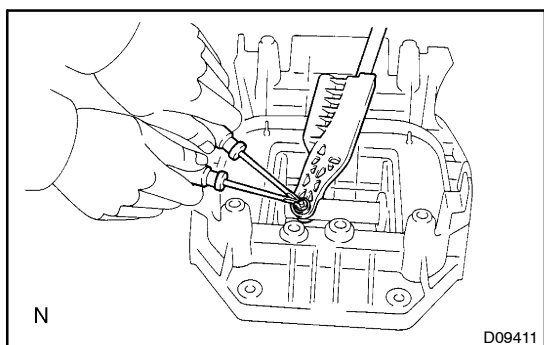


- (e) Disengage the secondary locking device of shift lock solenoid.
 (f) Release the locking lag of the terminals 1 and 6, and pull the terminals out from the rear.
 (g) Remove the E-shift main switch.

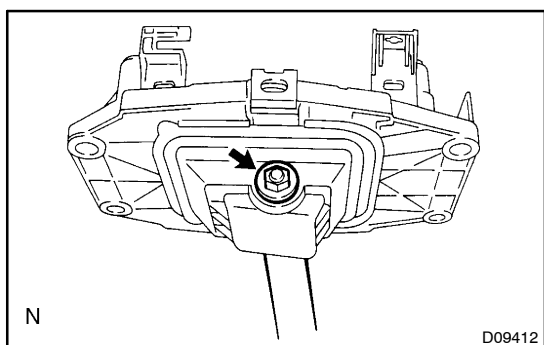


8. REMOVE SHIFT LEVER SUB-ASSEMBLY

- (a) Using a magnetic finger, remove the detent shift lever pin and spring.

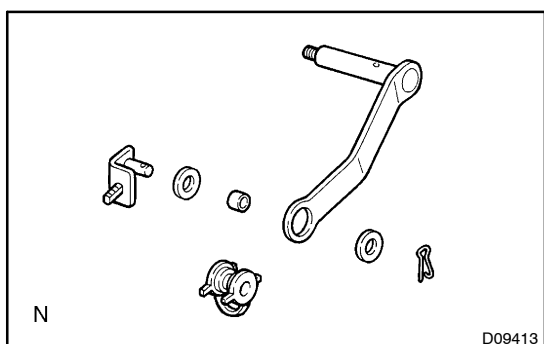


- (b) Using 2 screwdrivers, remove the shift lever ring.
- (c) Remove the pin and shift lever sub-assembly.



9. DISASSEMBLE SHIFT LEVER PLATE

- (a) Remove the nut, control lever, plate washer, 2 spacers and 2 O-ring.



- (b) Using pliers, remove the E-ring.
- (c) Remove the swivel, 2 plate washer, shaft lower control bush and spacer.
- (d) Remove the shift lever seal.
- (e) Remove the 4 collars.
- (f) Remove the 2 spring nuts.