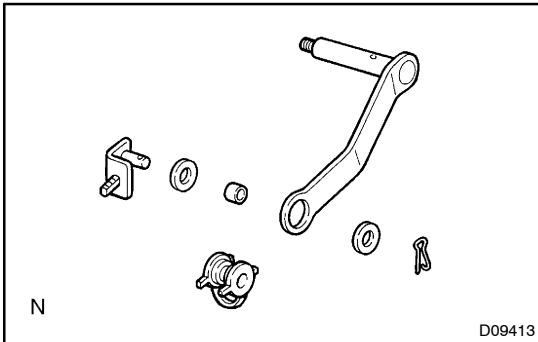


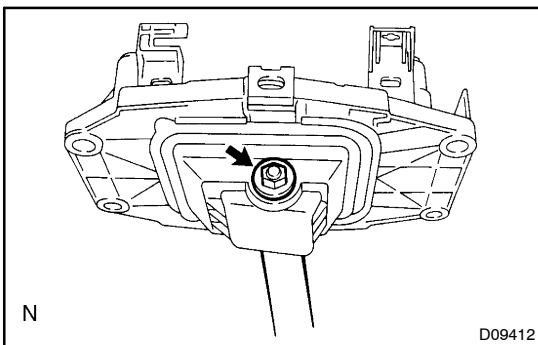
REASSEMBLY

1. REASSEMBLE SHIFT LEVER PLATE

- (a) Install the 2 spring nuts.
- (b) Install the 4 collars.
- (c) Install the shift lever seal.



- (d) Install the shaft lower control bush, spacer, 2 plate washers and swivel.
- (e) Using pliers, install the E-ring.

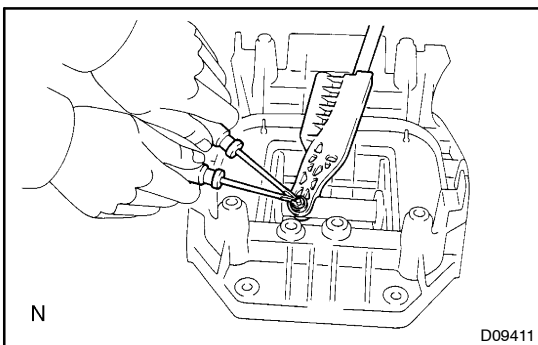


- (f) Apply MP grease to the new 2 O-rings.
- (g) Install the 2 O-rings, 2 new spacers, plate washer, control lever and nut.

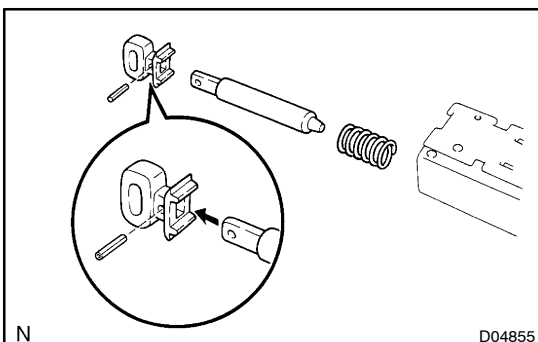
Torque: 13 N·m (130 kgf·cm, 9 ft·lbf)

2. INSTALL SHIFT LEVER SUB-ASSEMBLY

- (a) Apply MP grease to the pin.
- (b) Install the shift lever sub-assembly and pin.



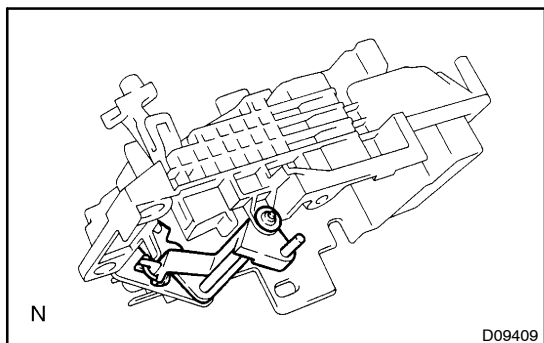
- (c) Using 2 screwdriver, install the shift lever ring.
- (d) Apply MP grease to the detent shift lever pin and spring.
- (e) Install the detent shift lever pin and spring.



3. REASSEMBLE SHIFT LOCK SOLENOID

- (a) Apply MP grease to the shift lock solenoid link.
- (b) Install the shift lock solenoid link and pin to the shift lock solenoid plunger.
- (c) Install the shift lock solenoid link with shift lock solenoid plunger and spring to the shift lock solenoid.

4. CONNECT SHIFT LOCK CONTROL ECU, SHIFT LOCK SOLENOID, SHIFT LOCK CONTROL SWITCH AND E-SHIFT MAIN SWITCH



5. RASSEMBLE SHIFT LEVER GUIDE HOUSING

- (a) Apply MP grease to the shift lever lock pin.
- (b) Install the shift lever lock pin, shift lock plate stopper and cushion to the shift lever guide housing.
- (c) Install the new shift lever nut to the shift lever lock pin by knocking them lightly via the 10 mm seated nut.

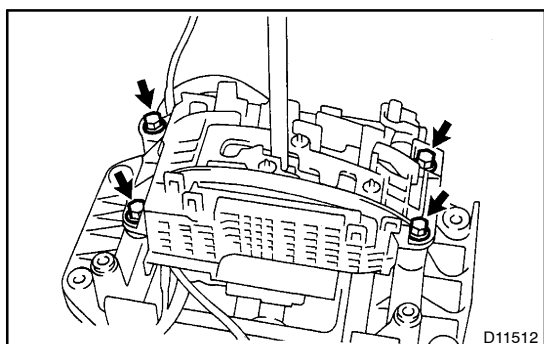
HINT:

Install the shift lever guide cushion of the shift lever nut in the same way.

- (d) Apply MP grease to the shift lock release button.
- (e) Install the spring and shift lock release button.
- (f) Connect the E-shift main switch connector to the shift lever guide housing.
- (g) Install the shift lock control ECU bracket and shift lever anti-rattle cushion to the shift lock control ECU.
- (h) Install the shift lock control ECU and shift lock solenoid with the 3 screws to the shift lever guide housing.
- (i) Install the shift lever guide cushion with new 3 shift lever nuts.

6. INSTALL SHIFT LEVER GUIDE HOUSING

- (a) Install the bulb and cap to the indicator light wire.



- (b) Install the shift lever guide housing assembly with the 4 bolts and nuts to the shift lever plate.

Torque: 4.9 N·m (50 kgf·cm, 43 in.·lbf)

- (c) Install the 2 E-shift main switches and shift lock control switch to the shift lever guide housing.
- (d) Connect the shift lock control ECU and indicator light wire connector to the shift lever plate.

7. INSTALL SLIDE COVER AND NO. 2 SLIDE COVER

8. INSTALL POSITION INDICATOR LIGHT GUIDE

- (a) Install the position indicator light guide.
- (b) Connect the indicator light wire to the position indicator light guide.

9. INSTALL POSITION INDICATOR HOUSING

- (a) Install the pattern select switch to the position indicator housing.
- (b) Install the position indicator housing.
- (c) Connect the pattern select switch connector.

10. INSTALL SHIFT LEVER KNOB