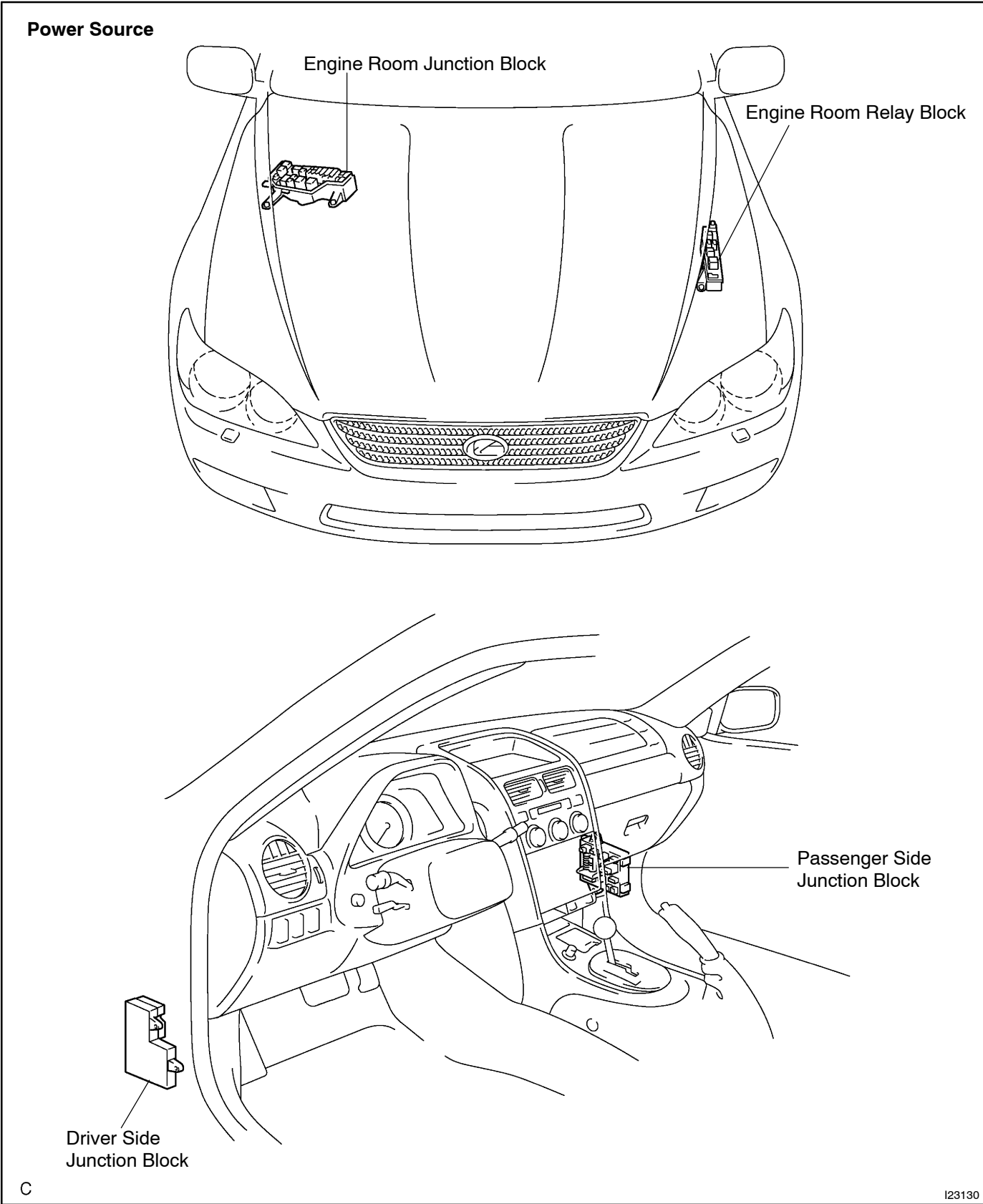
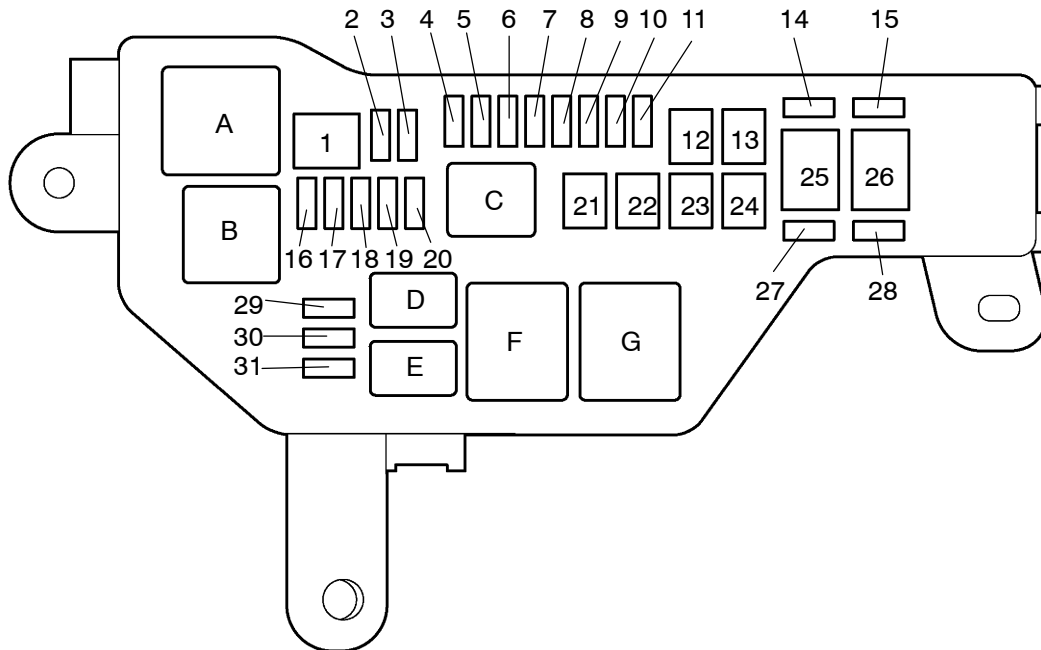


POWER SOURCE LOCATION

BE15V-02



● Engine Room Junction Block
LHD Models



Fuses

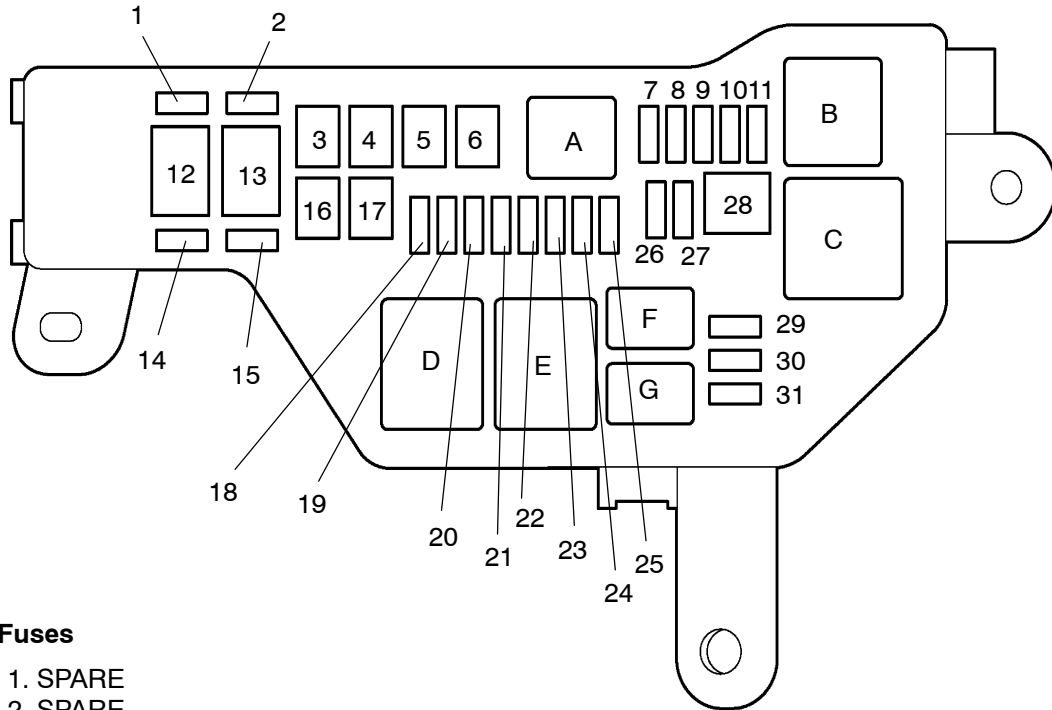
1. MAIN FL 40A
2. ECU-B1 20A
3. -
4. ALT-S 7.5A
5. ETCS 15A
6. AM2 20A
7. HORN 10A
8. -
9. RADIO NO. 1 20A
10. TURN 15A
11. EFI 25A
12. P/SEAT 30A
13. HEAD CLNER 30A
14. SPARE
15. SPARE
16. -
17. DRL NO. 1 7.5A
18. H-LP LH-LO 15A
19. H-LP RH-LO 15A
20. ABS2 7.5A
21. -
22. -
23. CDS FAN 30A
24. RDI FAN 30A
25. ALT 120A
26. ABS1 60A
27. SPARE
28. SPARE
29. H-LP LH-HI 10A
30. H-LP RH-HI 10A
31. H-LP LVL 10A

Relays

- A. Headlight Control Relay
- B. Starter relay
- C. Circuit Opening Relay
- D. Horn Relay
- E. EFI Main Relay
- F. ABS MTR Relay
- G. ABS SOL Relay

N

● Engine Room Junction Block
RHD Models

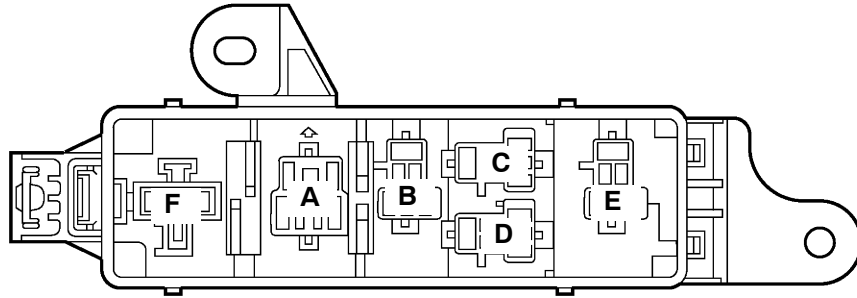


Fuses

- 1. SPARE
- 2. SPARE
- 3. RDI FAN 30A
- 4. CDS FAN 30A
- 5. -
- 6. -
- 7. ABS2 7.5A
- 8. H-LP RH-LO 15A
- 9. H-LP LH-LO 15A
- 10. H-LP LVL 10A
- 11. -
- 12. ABS 60A
- 13. ALT 120A
- 14. -
- 15. SPARE
- 16. H-LP CLNER 30A
- 17. P/SEAT 30A
- 18. EFI 25A
- 19. TURN 10A
- 20. RADIO NO. 1 20A
- 21. -
- 22. HORN 10A
- 23. AM2 20A
- 24. ETCS 15A
- 25. ALT-S 7.5A
- 26. -
- 27. ECU-B1 20A
- 28. MAIN 40A
- 29. -
- 30. H-LP RH-HI 10A
- 31. H-LP LH-HI 10A

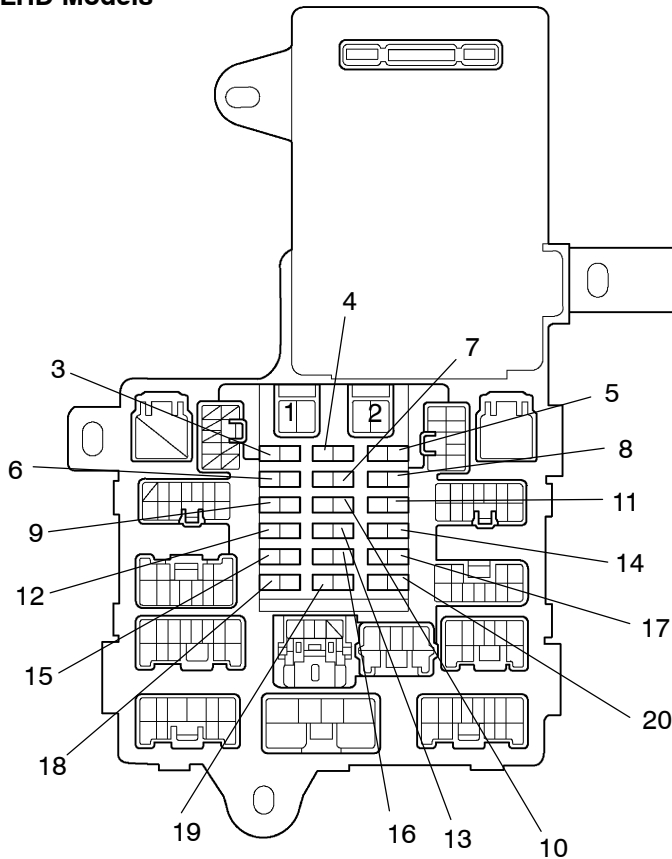
Relays

- A. Circuit Opening Relay
- B. Starter relay
- C. Headlight Control Relay
- D. ABS SOL Relay
- E. ABS MTR Relay
- F. Horn Relay
- G. EFI Main Relay

• Engine Room Relay Block**Relays**

- A. Headlight Dimmer Relay
- B. A/C Compressor Relay
- C. FAN NO.3 Relay
- D. FAN NO.2 Relay
- E. FAN NO.1 Relay
- F. F/PMP Relay

● Driver Side Junction Block
LHD Models



Fuses

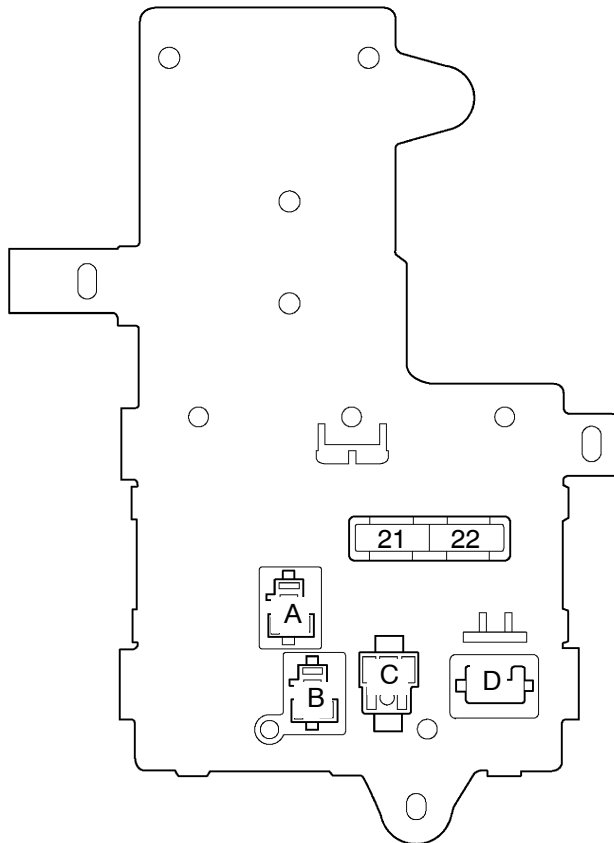
- 1. DEF 40A
- 2. AM1 40A
- 3. P/W 20A
- 4. TAIL 10A
- 5. GAUGE 10A
- 6. D/L 20A
- 7. PANEL 7.5A
- 8. WSH 15A
- 9. ST 7.5A
- 10. FR DEF 20A
- 11. A/C 10A
- 12. S/HTR 15A
- 13. CIG 15A
- 14. S/R 30A
- 15. ECU-IG 10A
- 16. SRS-ACC 10A
- 17. STOP 15A
- 18. WIP 25A
- 19. RADIO2 10A
- 20. -

Condenser

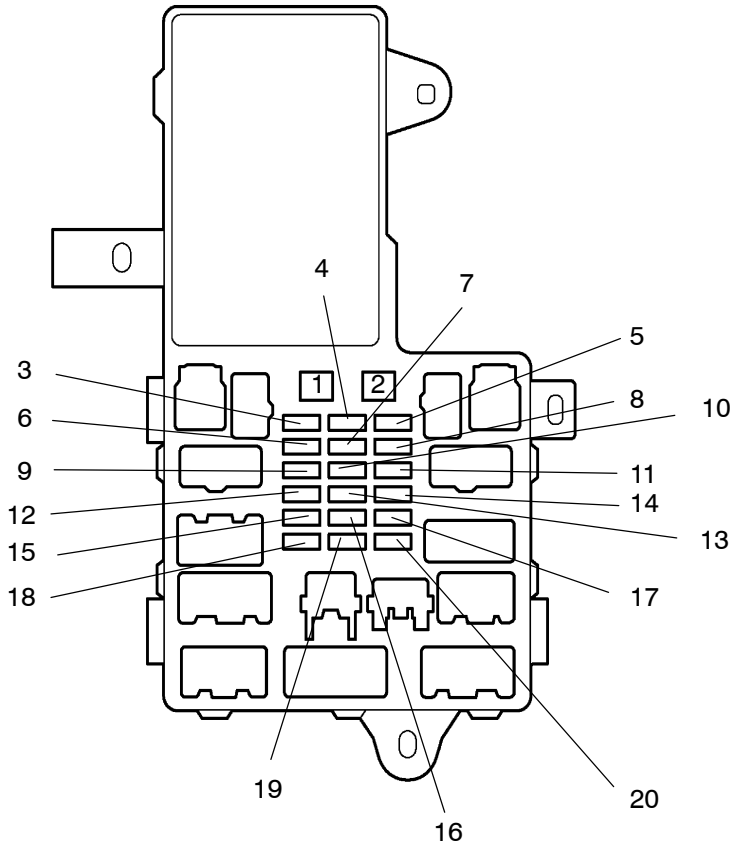
- 21. DEF CDS
- 22. DEF CDS

Relays

- A. Deicer Relay
- B. Taillight Control Relay
- C. Rear Window Defogger Relay
- D. Turn Signal Flasher Relay



● Driver Side Junction Block
RHD Models



Fuses

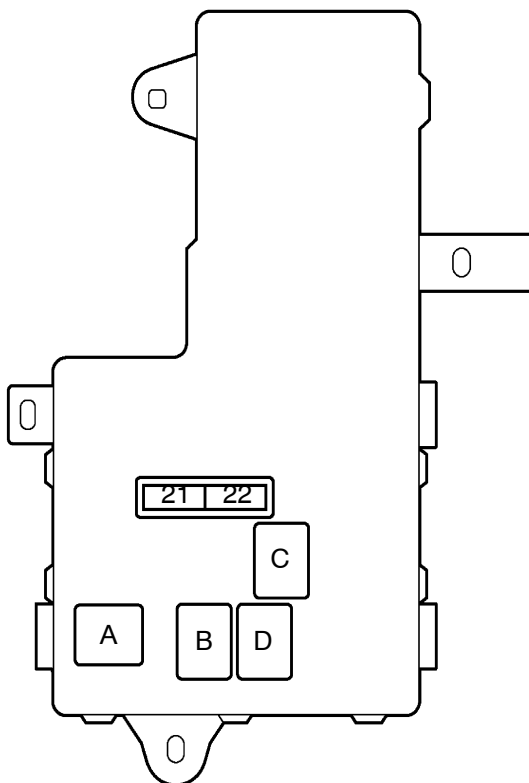
1. AM1	40A
2. DEF	30A
3. PANEL	7.5A
4. D/L	20A
5. ECU-IG	10A
6. TAIL	10A
7. FR DEF	20A
8. GAUGE	10A
9. S/R	30A
10. P/W	20A
11. WIP	25A
12. STOP	15A
13. WSH	15A
14. A/C	10A
15. P/OUTLET	15A
16. CIG	15A
17. RADIO2	10A
18. ST	7.5A
19. SRS ACC	10A
20. S/HTR	15A

Condenser

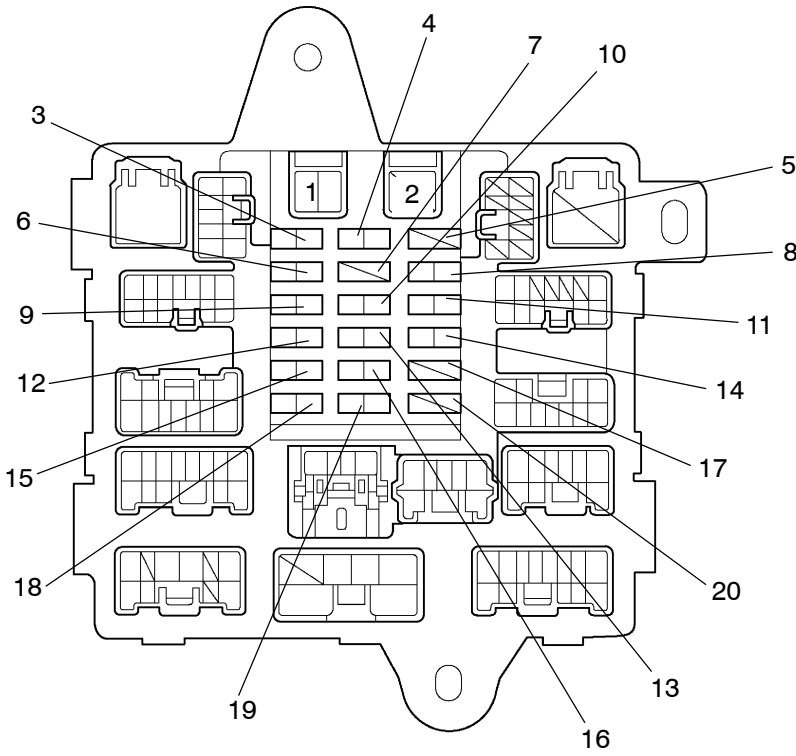
- 21. DEF CDS
- 22. DEF CDS

Relays

- A. Turn Signal Flasher Relay
- B. Rear Window Defogger Relay
- C. Taillight Control Relay
- D. Deicer Relay

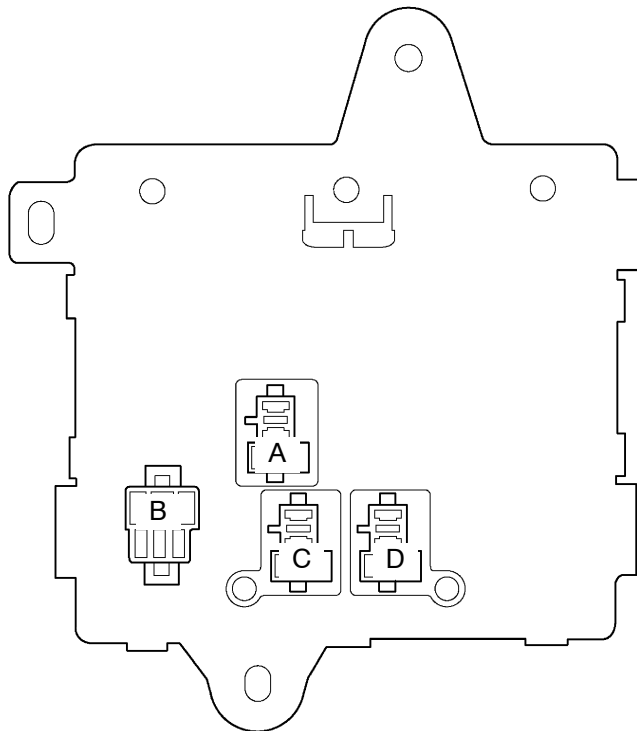


● Passenger Side Junction Block
LHD Models



Fuses

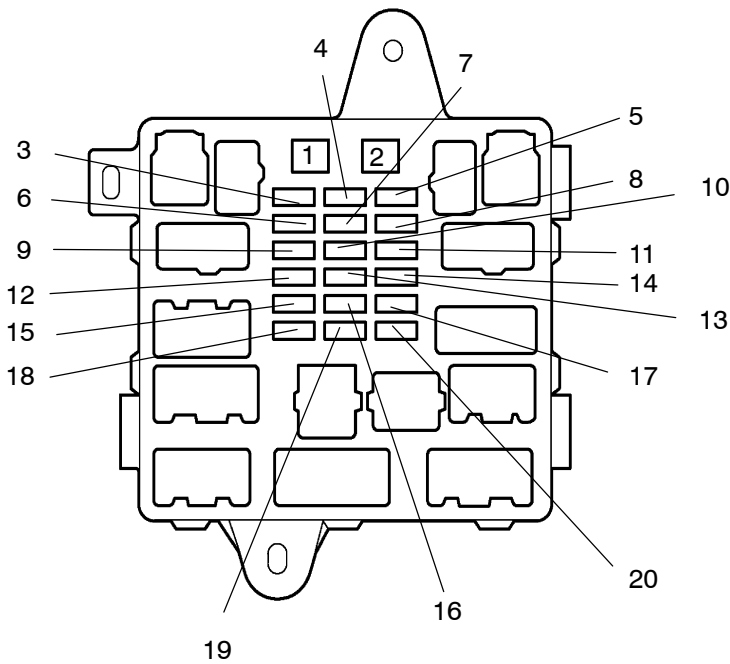
- 1. FL HTR 40A
- 2. -
- 3. DOOR DL 15A
- 4. DOME 7.5A
- 5. -
- 6. FR FOG 15A
- 7. -
- 8. P/W2 20A
- 9. P/OUTLET 15A
- 10. ECU-B2 7.5A
- 11. P/W3 20A
- 12. MIR HIR 15A
- 13. MPX-B 10A
- 14. P/W4 20A
- 15. SRS-B 7.5A
- 16. TV 7.5A
- 17. -
- 18. OBD2 7.5A
- 19. IGN 7.5A
- 20.-



Relays

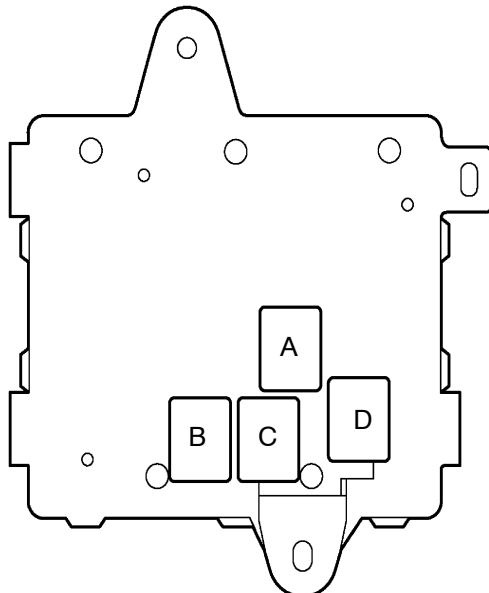
- A. Front Fog Light Relay
- B. Heater Main Relay
- C. Mirror Heater Relay
- D. Power Window Main Relay

● Passenger Side Junction Block
RHD Models



Fuses

1.	-	
2.	FL HTR	40A
3.	P/W2	20A
4.	IGN	7.5A
5.	DOOR DL	15A
6.	P/W3	20A
7.	-	
8.	TV	7.5A
9.	-	
10.	DOME	7.5A
11.	FR FOG	15A
12.	P/W4	20A
13.	-	
14.	MIR HTR	15A
15.	-	
16.	MPX-B	10A
17.	SRS-B	7.5A
18.	-	
19.	ECU-B2	7.5A
20.	OBD2	7.5A



Relays

- A. Front Fog Light Relay
- B. Power Window Main Relay
- C. Mirror Heater Relay
- D. Heater Main Relay