

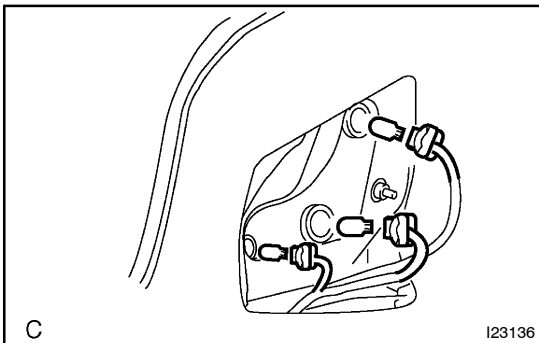
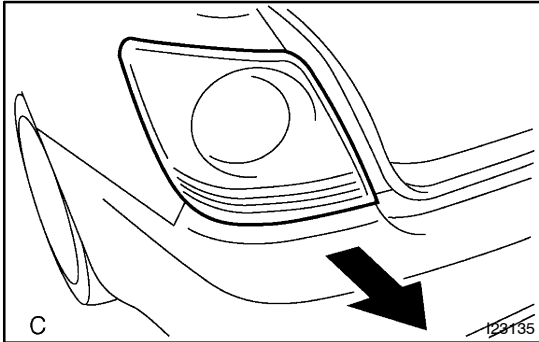
## REMOVAL

### 1. Wagon:

#### REMOVE REAR COMBINATION LIGHT

##### HINT:

- Installation is in the reverse order of removal. Only if there is a specified procedure for installation it is shown.
  - Follow the same procedure for RH as for LH.
- (a) Remove floor board and deck side board LH.
  - (b) Remove back door scuff plate.
  - (c) Remove a part of deck side trim board LH.
  - (d) Disconnect the bulb sockets and 3 nuts.
  - (e) Remove the combination light assembly.

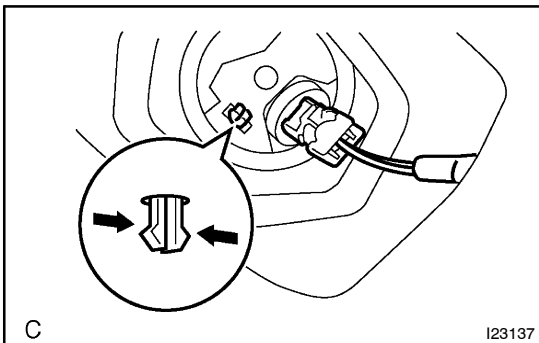


### 2. Wagon:

#### REMOVE REAR COMBINATION BULB

##### HINT:

- Installation is in the reverse order of removal. Only if there is a specified procedure for installation it is shown.
  - Follow the same procedure for RH as for LH.
- (a) Remove a service hole cover.
  - (b) Remove the bulb sockets and remove the bulbs.

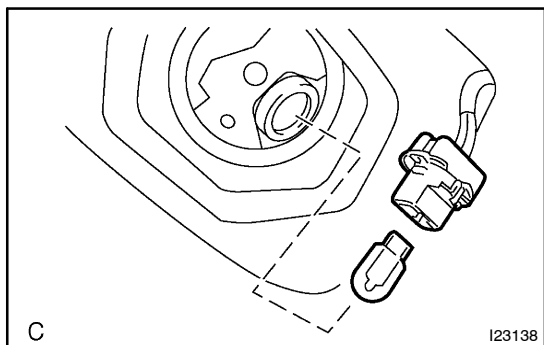


### 3. Wagon:

#### REMOVE REAR LAMP ASSEMBLY

##### HINT:

- Installation is in the reverse order of removal. Only if there is a specified procedure for installation it is shown.
  - Follow the same procedure for RH as for LH.
- (a) Remove the back door trim service hole cover.
  - (b) Compress the claw to disconnect the engagement as shown in the illustration.
  - (c) Separate the connector and remove the rear light assembly.



**4. Wagon:**  
**REMOVE REAR LAMP BULB**

**HINT:**

Installation is in the reverse order of removal. Only if there is a specified procedure for installation it is shown.

- (a) Remove the back door trim service hole cover.
- (b) Remove the bulb socket and bulb.