

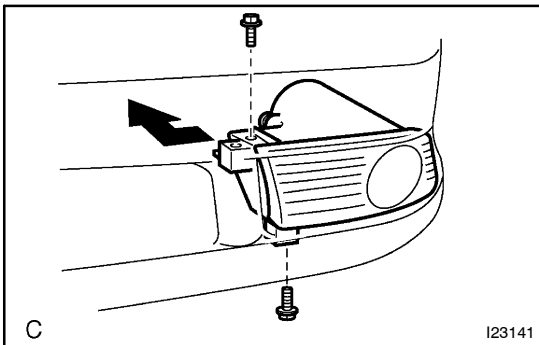
## REMOVAL

### 1. Sedan:

#### REMOVE FRONT FOG LIGHT ASSEMBLY

##### HINT:

- Installation is in the reverse order of removal. Only if there is a specified procedure for installation it is shown.
  - Follow the same procedure for RH as for LH.
- (a) Remove the front portion of fender liner.
  - (b) Disconnect the connector.
  - (c) Remove the 2 bolts.
  - (d) Remove the front fog light assembly, as shown in the illustration.
  - (e) Install front fog light assembly.
  - (f) Adjust optical axis of front fog light  
(See Pub No. RM684E on page BE-48).

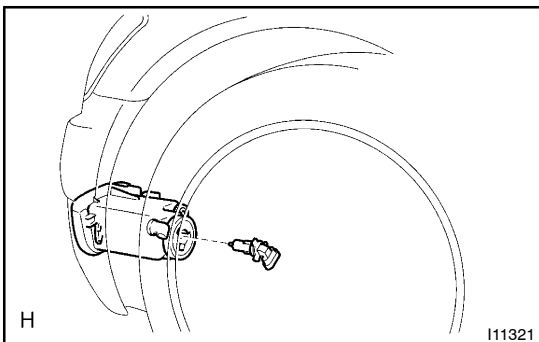


### 2. Wagon:

#### REMOVE FRONT FOG LIGHT ASSEMBLY

##### HINT:

- Installation is in the reverse order of removal. Only if there is a specified procedure for installation it is shown.
  - Follow the same procedure for RH as for LH.
- (a) Remove the front portion of fender liner.
  - (b) Disconnect the connector.
  - (c) Remove the 2 bolts.
  - (d) Remove the front fog light assembly, as shown in the illustration.
  - (e) Install front fog light assembly.
  - (f) Adjust optical axis of front fog light  
(See Pub No. RM684E on page BE-48).



### 3. REMOVE FRONT FOG LIGHT BULB

##### HINT:

Follow the same procedure for RH as for LH.

- (a) Remove a part of LH front fender liner.
- (b) Separate the connector and remove the bulb.