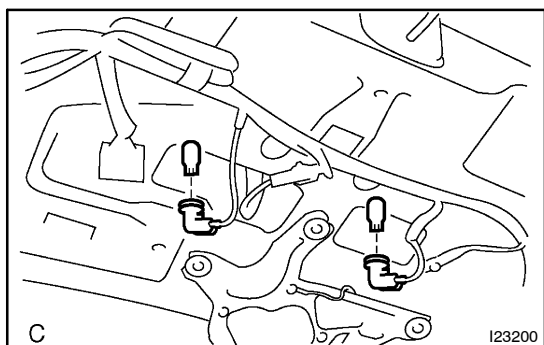
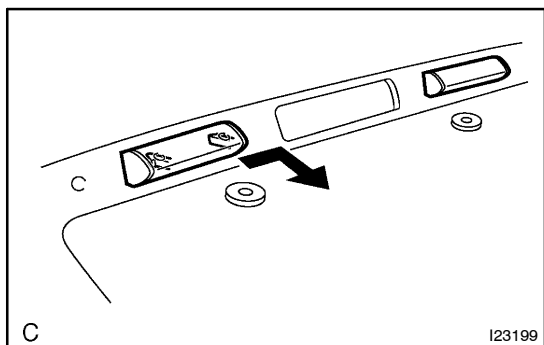


REMOVAL

1. Wagon: REMOVE LICENSE PLATE LIGHT

HINT:

- Installation is in the reverse order of removal. Only if there is a specified procedure for installation it is shown.
 - Follow the same procedure for RH as for LH.
- (a) Remove the back door trim.
 - (b) Remove the 4 nuts.
 - (c) Remove back door outer garnish.
 - (d) Disconnect the connector.
 - (e) Pull the claw towards the inside of the vehicle as shown in the illustration, disconnect the engagement of 2 claws, and remove the license plate light assembly.



2. Wagon: REMOVE LICENSE PLATE BULB

HINT:

- Installation is in the reverse order of removal. Only if there is a specified procedure for installation it is shown.
- (a) Remove the back door trim.
 - (b) Disconnect the bulb sockets and remove the bulbs.