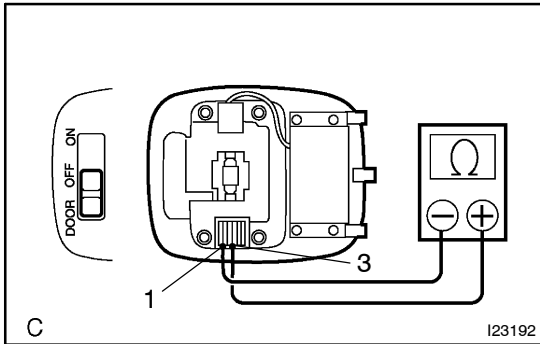


INSPECTION

1. w/ Reader sensor:

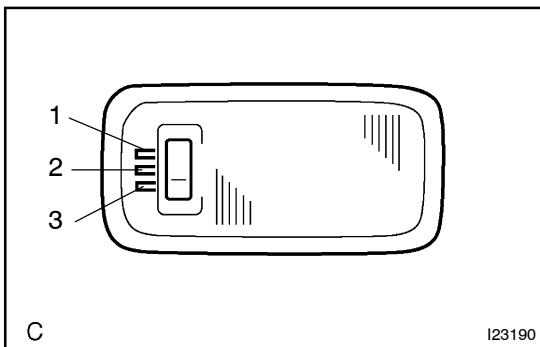
INSPECT ROOM LIGHT CONTINUITY

- (a) Disconnect the connector from the room light.
- (b) Turn the room light switch ON, check that continuity exists between terminal 2 and 3.



- (c) Turn the room light switch DOOR, check that continuity exists between terminals 1 and 3.

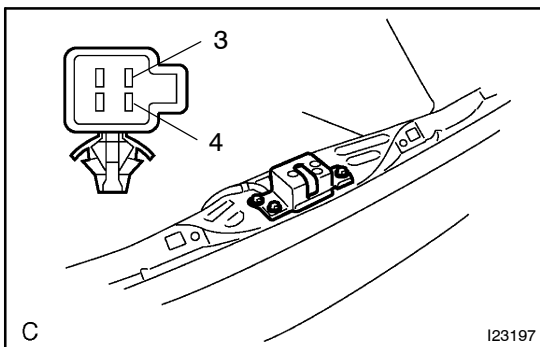
If continuity is not as specified, replace the light assembly or bulb.



2. REAR ROOM LIGHT SWITCH CONTINUITY

Switch position	Tester connection	Specified condition
OFF	1 - 2	No continuity
ON	2 - 3	Continuity

If continuity is not as specified, replace the light assembly or bulb.



3. BACK DOOR COURTESY SWITCH CONTINUITY

Switch position	Tester connection	Specified condition
OFF (closed)	-	No continuity
ON (opened)	3 - 4	Continuity

If continuity is not as specified, replace the switch.