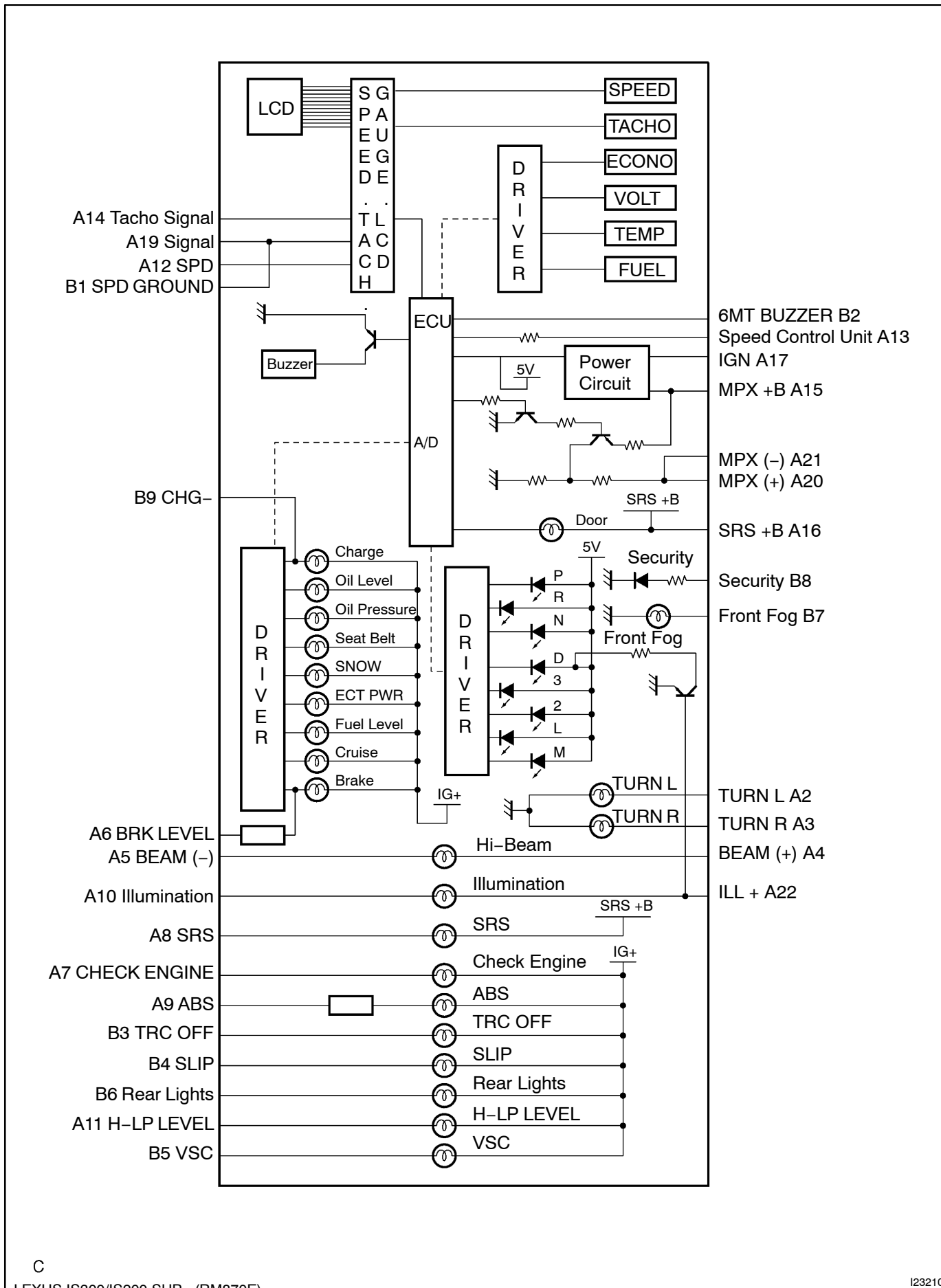


CIRCUIT



| No. | | Wiring connector side |
|-----|----|--|
| A | 2 | Turn signal light switch (Left) |
| | 3 | Turn signal light switch (Right) |
| | 4 | HEAD Fuse |
| | 5 | Headlight dimmer switch |
| | 6 | Brake fluid level warning switch |
| | 7 | Engine and ECT ECU |
| | 8 | Airbag sensor assembly |
| | 9 | ABS ECU |
| | 10 | Rheostat light control volume |
| | 11 | Headlight beam level control ECU |
| | 12 | Speed sensor (M/T) or ABS ECU (A/T) |
| | 13 | Speed control unit |
| | 14 | Engine and ECT ECU |
| | 15 | MPX+B Fuse |
| | 16 | SRS+B Fuse |
| | 17 | GAUGE Fuse |
| | 18 | Power ground |
| | 19 | Signal ground |
| | 20 | Multiplex communication circuit (MPX+) |
| | 21 | Multiplex communication circuit (MPX-) |
| | 22 | TAIL Fuse |
| | B | 1 |
| 2 | | 6M/T reverse buzzer (M/T vehicle only) |
| 3 | | ABS and TRC ECU |
| 4 | | ABS and TRC ECU |
| 5 | | ABS and TRC ECU (w/ VSC) |
| 6 | | Light failure relay |
| 7 | | Front fog light switch |
| 8 | | Transponder key ECU |
| 9 | | Daytime running light relay |