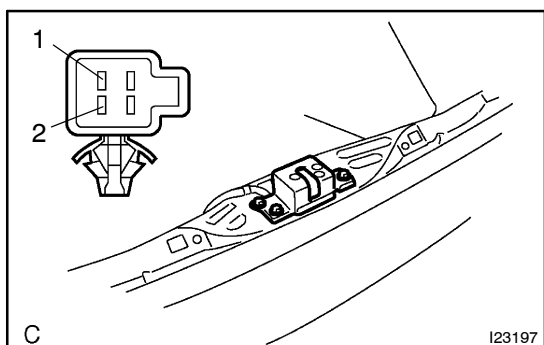


INSPECTION

1. INSPECT BACK DOOR OPENER SWITCH CONTINUITY

Switch position	Tester connection	Specified condition
OFF	-	No continuity
ON	1 - 2	Continuity

If continuity is not as specified, replace the door lock assembly.



2. INSPECT BACK DOOR OPENER MOTOR OPERATION

Connect positive (+) lead to the terminal 1 and negative (-) lead to the terminal 2, and check that the motor operates.

If operation is not as specified, replace the motor assembly.