

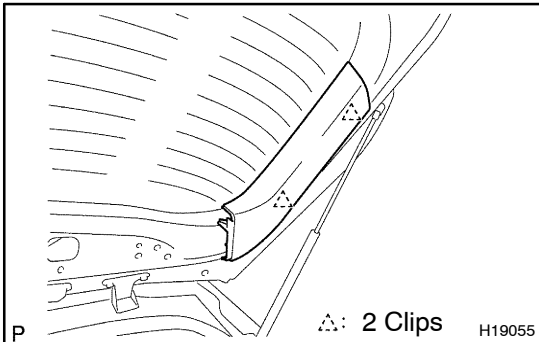
DISASSEMBLY

1. REMOVE BACK DOOR TRIM BOARD UPPER

Using a screwdriver, remove the back door trim board upper.

HINT:

Tape the screwdriver tip before use.



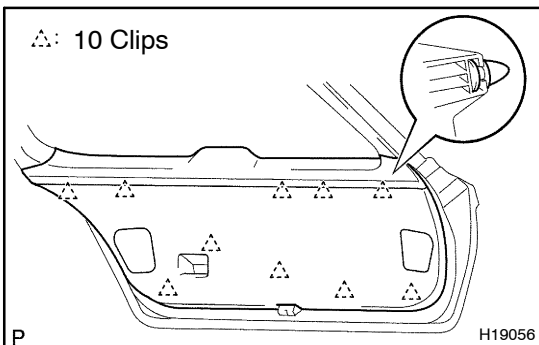
2. REMOVE BACK DOOR TRIM COVERS

- (a) Insert a screwdriver between the back door panel and back door trim cover to pry the cover.

HINT:

Tape the screwdriver tip before use.

- (b) Employ the same manner described above to the other side.

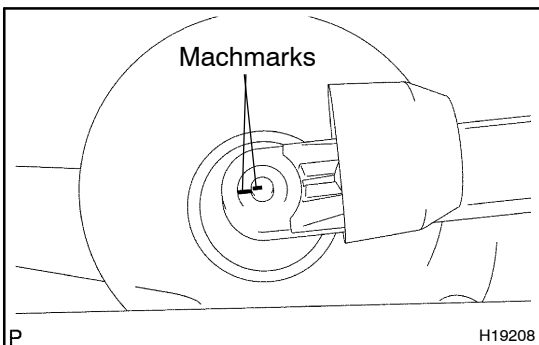


3. REMOVE BACK DOOR TRIM BOARD

- (a) Remove the clip and back door handle.
- (b) Using a screwdriver, remove the back door trim board.

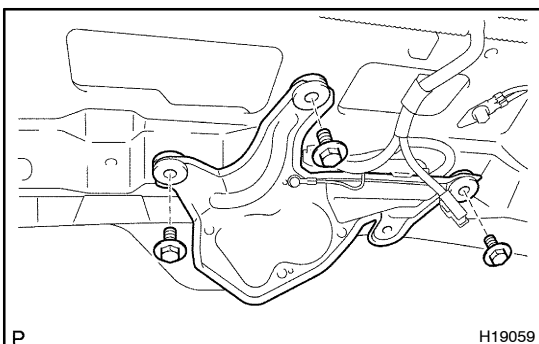
HINT:

Tape the screwdriver tip before use.



4. REMOVE REAR WIPER ARM

- (a) Remove the wiper arm cover.
- (b) Place machmarks on the wiper arm and wiper motor.
- (c) Remove the nut and rear wiper arm.

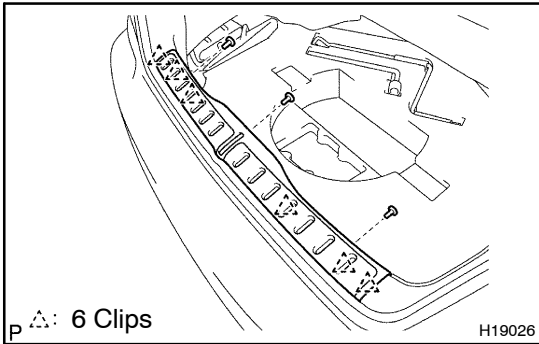


5. REMOVE REAR WIPER MOTOR

- (a) Remove the nut and washer on the outer side of the back door panel.
- (b) Disconnect the connector.
- (c) Remove the 3 bolts and rear wiper motor.

6. REMOVE REAR COMBINATION LIGHT

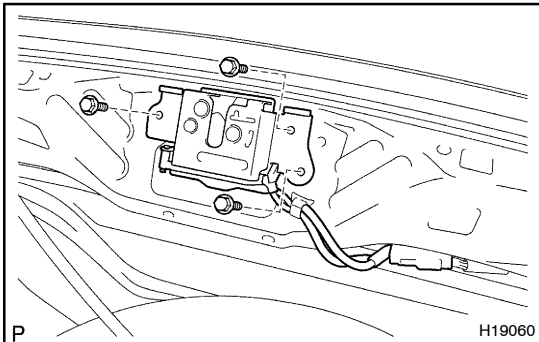
- (a) Disconnect the connector.
- (b) Remove the nut and rear combination light.
- (c) Employ the same manner described above to the other side.

**7. REMOVE REAR FLOOR FINISH PLATE**

- (a) Remove the 2 bolts and the 2 rope hook assemblies.
- (b) Remove the 3 clips.
- (c) Using a screwdriver, remove the rear floor finish plate.

HINT:

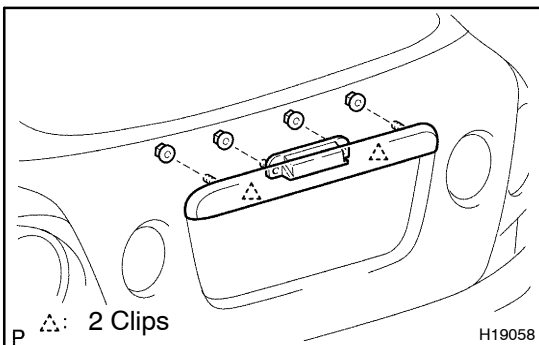
Tape the screwdriver tip before use.

**8. REMOVE BACK DOOR LOCK ASSEMBLY**

Remove the 3 bolts and the back door lock assembly then disconnect the connector.

9. REMOVE LICENSE PLATE LAMPS

Remove the license plate lamps then disconnect the connectors.

**10. REMOVE BACK DOOR OUTSIDE GARNISH**

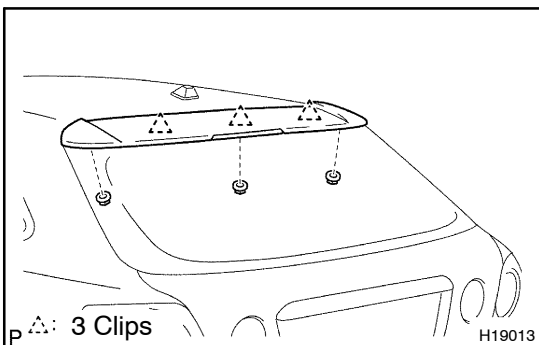
- (a) Remove the 4 nuts and back door outside garnish.
- (b) Using a screwdriver, remove the back door outside garnish.

HINT:

Tape the screwdriver tip before use.

11. REMOVE BACK DOOR OUTSIDE HANDLE

Remove the 2 bolts and back door outside handle then disconnect the connector.

**12. REMOVE REAR SPOILER COVER**

- (a) Remove the 3 nuts.
- (b) Using a screwdriver, remove the rear spoiler cover then disconnect the connector.

HINT:

Tape the screwdriver tip before use.

13. REMOVE STOP CENTER LAMP ASSEMBLY

Remove the 2 screws and the stop center lamp assembly.